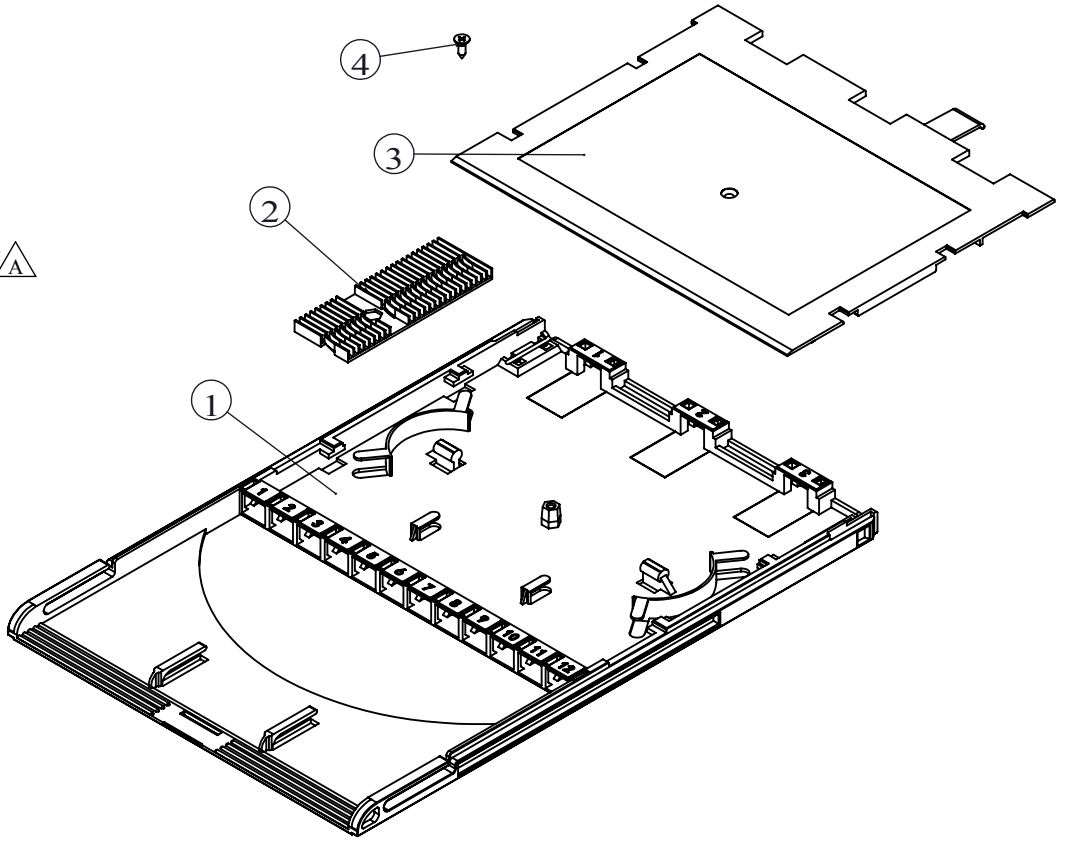
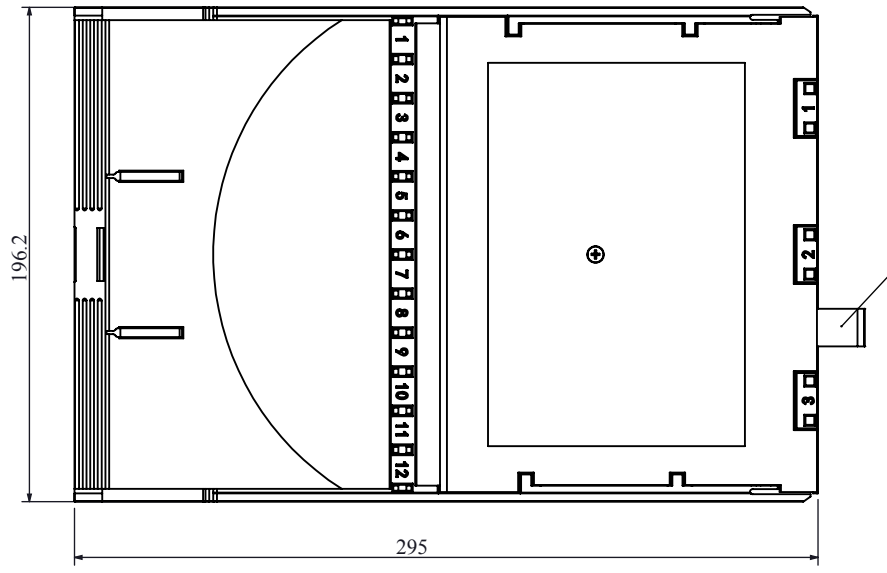


Version	Date	Amending content	Edior
A/0	2019.08.16	New issue	YHB
A/1	2021.03.11	Modify characteristics Δ	YHB



No.	Part Name
①	Cassette Base
②	Splice tray
③	Cassette cover
④	Screw

Name	Eurolan 24F cassette for Duplex adapter with splice tray		
Material Name	/	Drawing No	
Drawing	Y H B	Date	2021.03.11
Check	Z S F	Version	A/1
Approval	W X B	Unit :mm	\oplus \ominus Page :1-1