

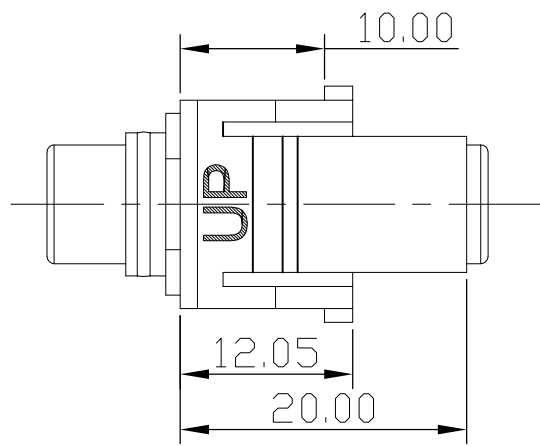
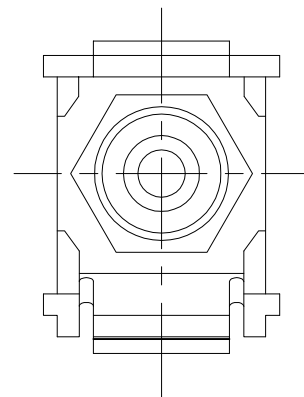
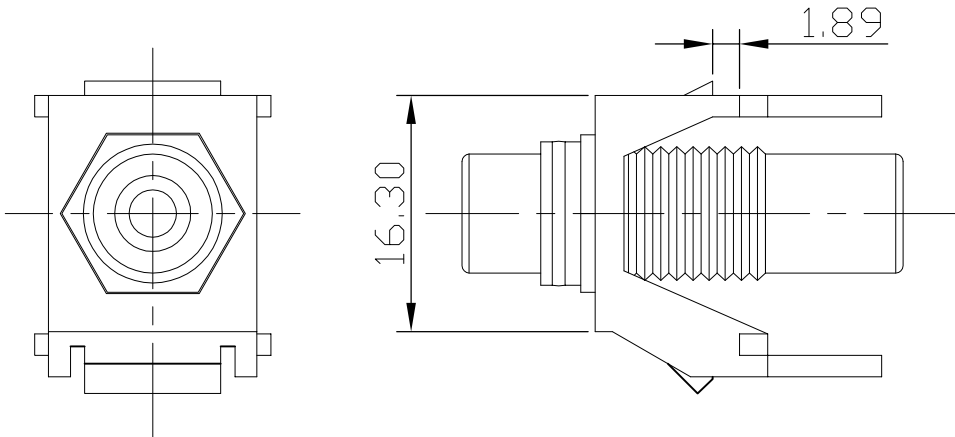
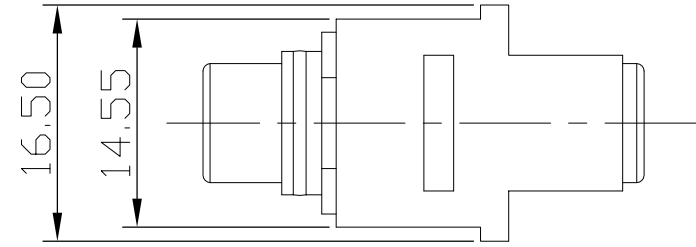
4

3

2

1

REVISIONS				
ZONE	REV	DESCRIPTION	DATE	DRAWN



NOTE :
 1.MATERIAL:BRASS
 2.SURFACE:FLASH GOLD

2	RCA CONNECTOR	NICKEL PLATING
1	HOUSING	ABS 94V-0
ITEM	PART NAME	DESCRIPTION

UNLESS OTHERWISE SPECIFIED: TOLERANCES			PROJECT ID 16B-RC-05WT		EUROLAN	
INCH	MM	ANGULAR	FILE	DATE	TITLE	
.X ± .016	.X ± 0.2	X ± 1°			Module RCA keystone red IN-LINE	
.XX ± .008	.XX ± 0.1	X ± .5°			SIZE	DRAWING NUMBER
.XXX ± .004					PART NUMBER	REV
MATERIAL	DRAWN				SCALE 1 : 1 UNIT mm SHEET	
SURFACE	CHECK					
FINISH	APPROVED					

D

C

B

A