

Перв. примен.

Справ. N

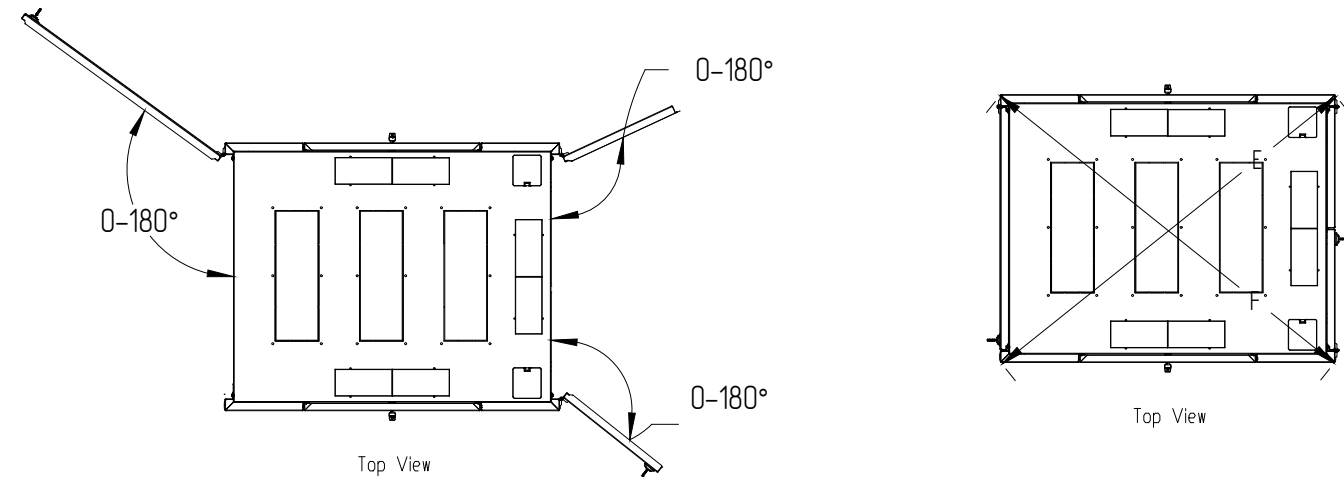
Подп. и дата

Инв. N дубл.

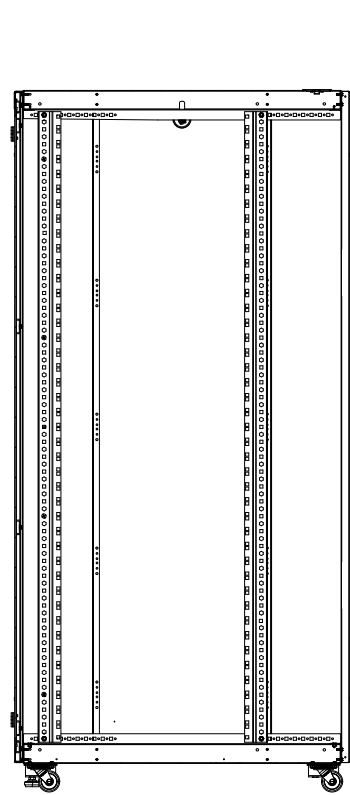
Взаминв. N

Подп. и дата

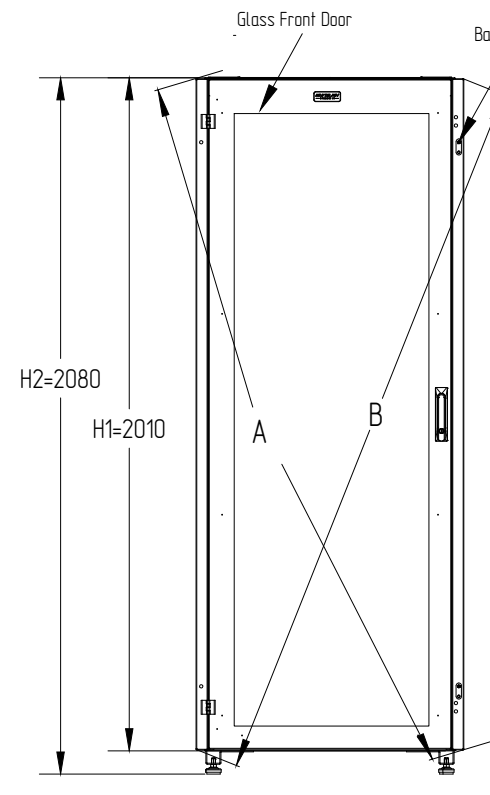
Инв. N подл.



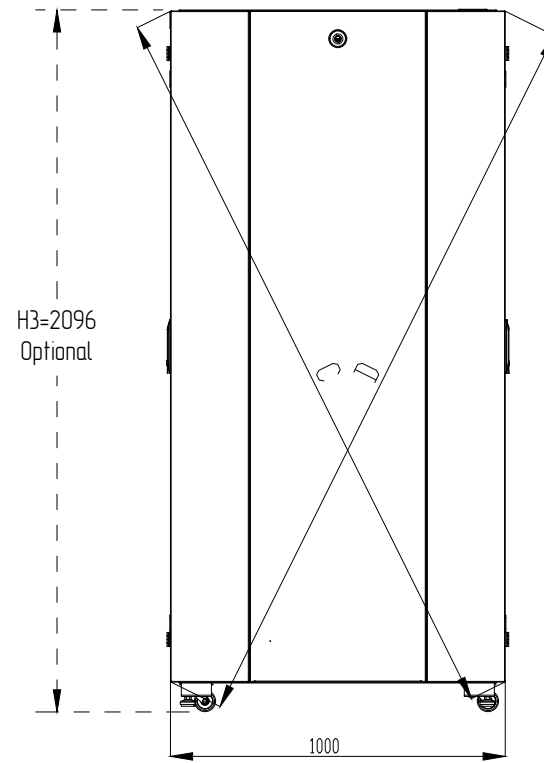
Code	U	H1 without feet and castor(mm)	H2 with feet(mm)	H3 with Castor(mm)
60F-48-8A-21BL	48U	2277	2347	2363
60F-42-8A-21BL	42U	2010	2080	2096
60F-36-8A-21BL	36U	1744	1814	1830
60F-24-8A-21BL	24U	1211	1281	1297
60F-18-8A-21BL	18U	945	1015	1031



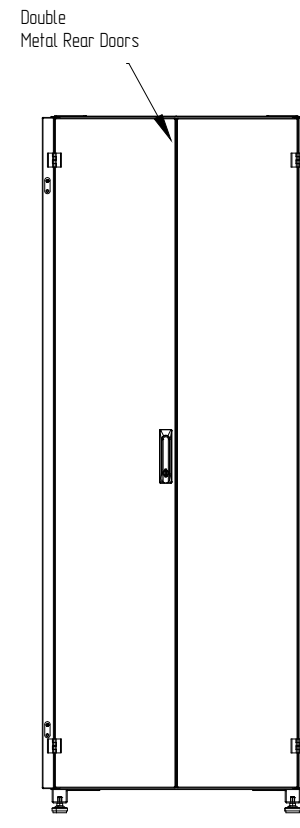
SECTION A-A
Side View Without Side-Panel



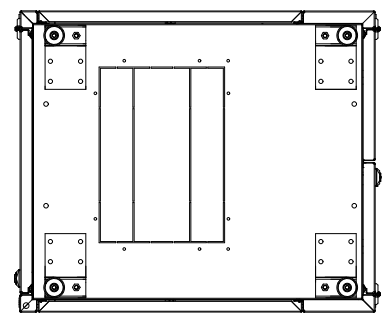
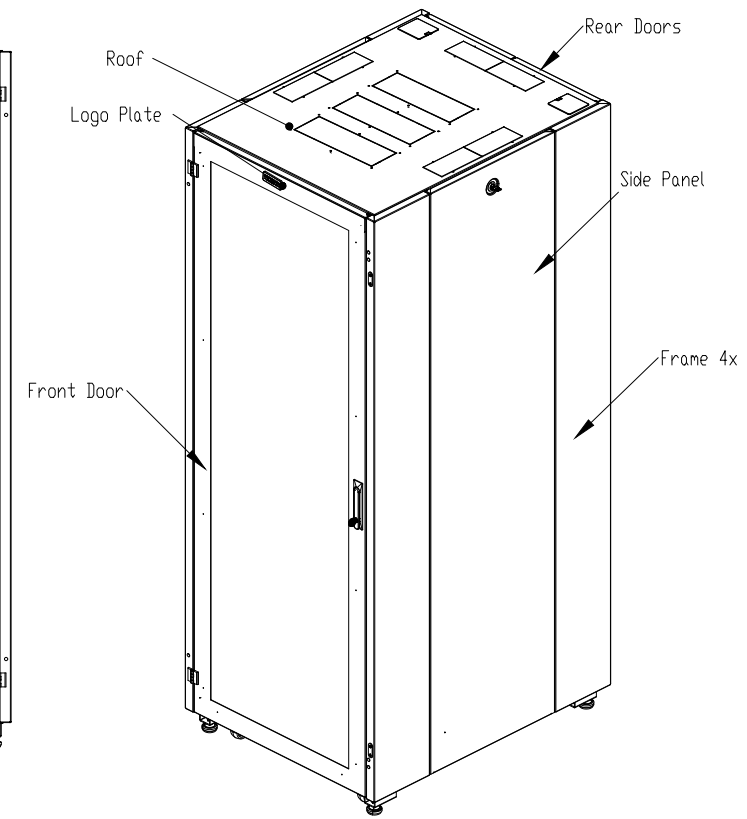
Front View



Side View



Rear View



Bottom View

- 1.-2.4≤A-B≤2.4; -2.4≤C-D≤2.4; -2.4≤E-F≤2.4
2. DOORS CAN BE QUICK RELEASE
3. STATIC LOADING: DESIGN 700kg; TEST 900kg.
4. All dimensions is in mm.
5. Grounding cables is in box. 5set
6. Casters are not included in the regular cabinet kit.

Изм.	Лист	N докум.	Подп.	Дата	N2000 SERIES RACK 800 × 1000 MM 60F-18-8A-21BL, 60F-24-8A-21BL, 60F-36-8A-21BL 60F-42-8A-21BL, 60F-48-8A-21BL	Лист	
Разраб.						0	
Проб.							
Т.контр.						Лист 1	Листов 4
Н.контр.							
Утв.							

Копировал

Формат А3



Перв. примен.

Справ. N

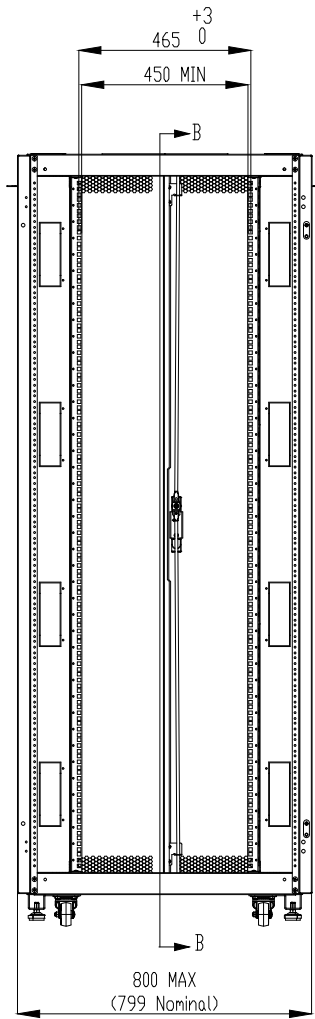
Подп. и дата

И-в. N дубл.

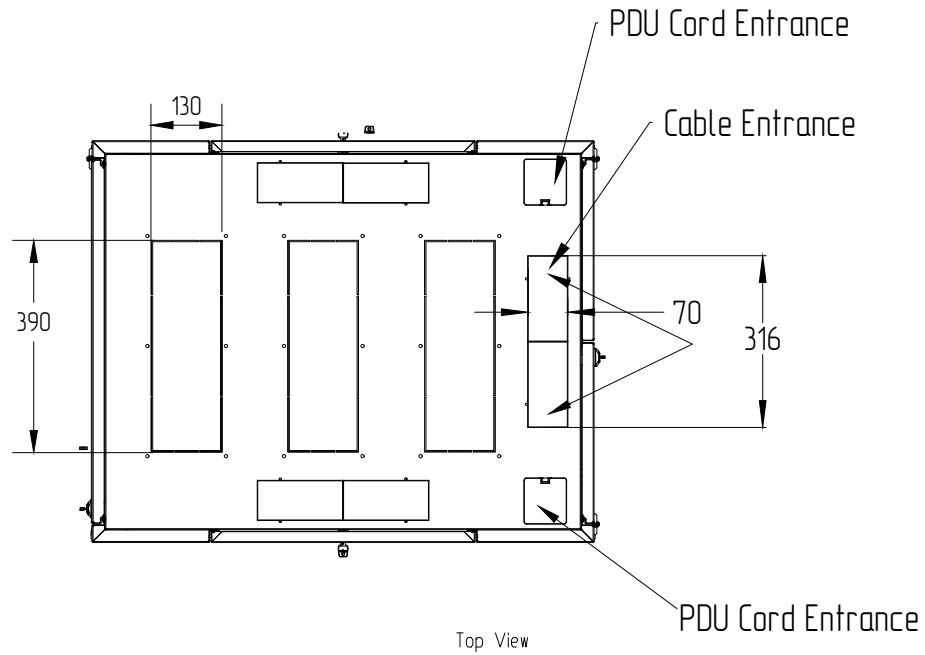
Взам.инв. N

Подп. и дата

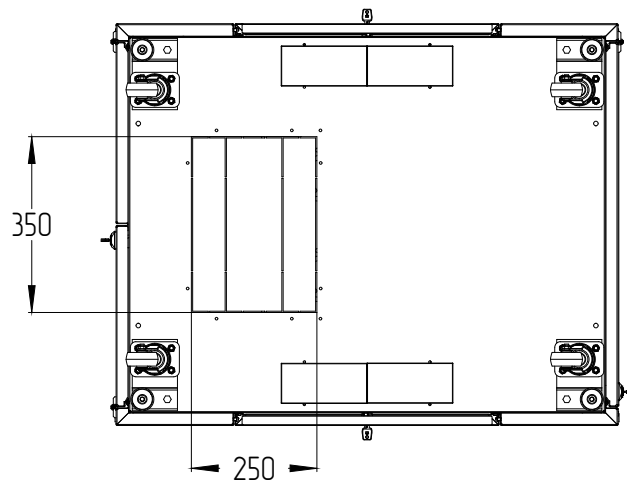
И-в. N подл.



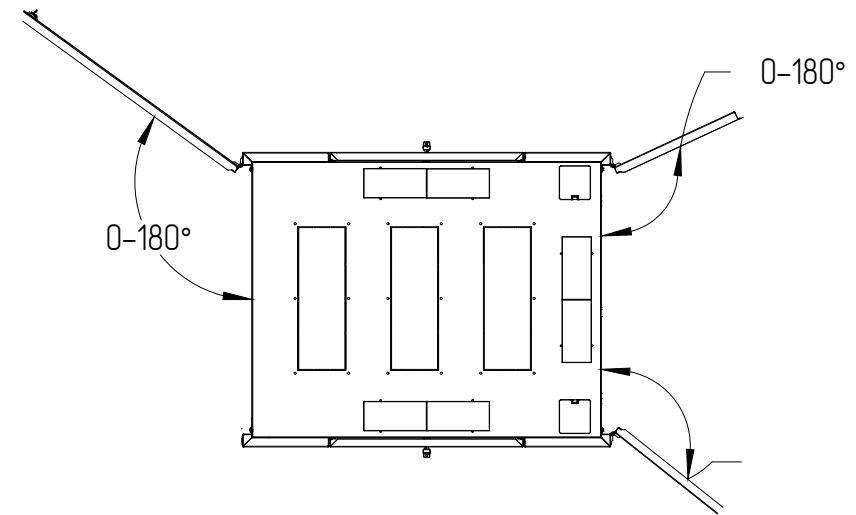
Front View without front door



Top View



Bottom View



Top View

Code	Net weight(kg)	Gross weight(kg)
60F-48-8A-21BL	131	142
60F-42-8A-21BL	114	126
60F-36-8A-21BL	103	115
60F-24-8A-21BL	95	106
60F-18-8A-21BL	85	95

- 1.-2.4≤A-B≤2.4; -2.4≤C-D≤2.4; -2.4≤E-F≤2.4
2. DOORS CAN BE QUICK RELEASE
3. STATIC LOADING: DESIGN 700kg; TEST 900kg.
4. All dimensions is in mm.
5. Grounding cables is in box. 5set
6. Casters are not included in the regular cabinet kit.

Изм.	Лист	N докум.	Подп.	Дата	N2000 SERIES RACK 800 × 1000 MM 60F-18-8A-21BL, 60F-24-8A-21BL, 60F-36-8A-21BL 60F-42-8A-21BL, 60F-48-8A-21BL	Лист			
Разраб.						0			
Проб.						Лист 2		Листов	
Т.контр.									
Н.контр.									
Утв.									

Копировал

Формат А3

Перв. примен.

Справ. N

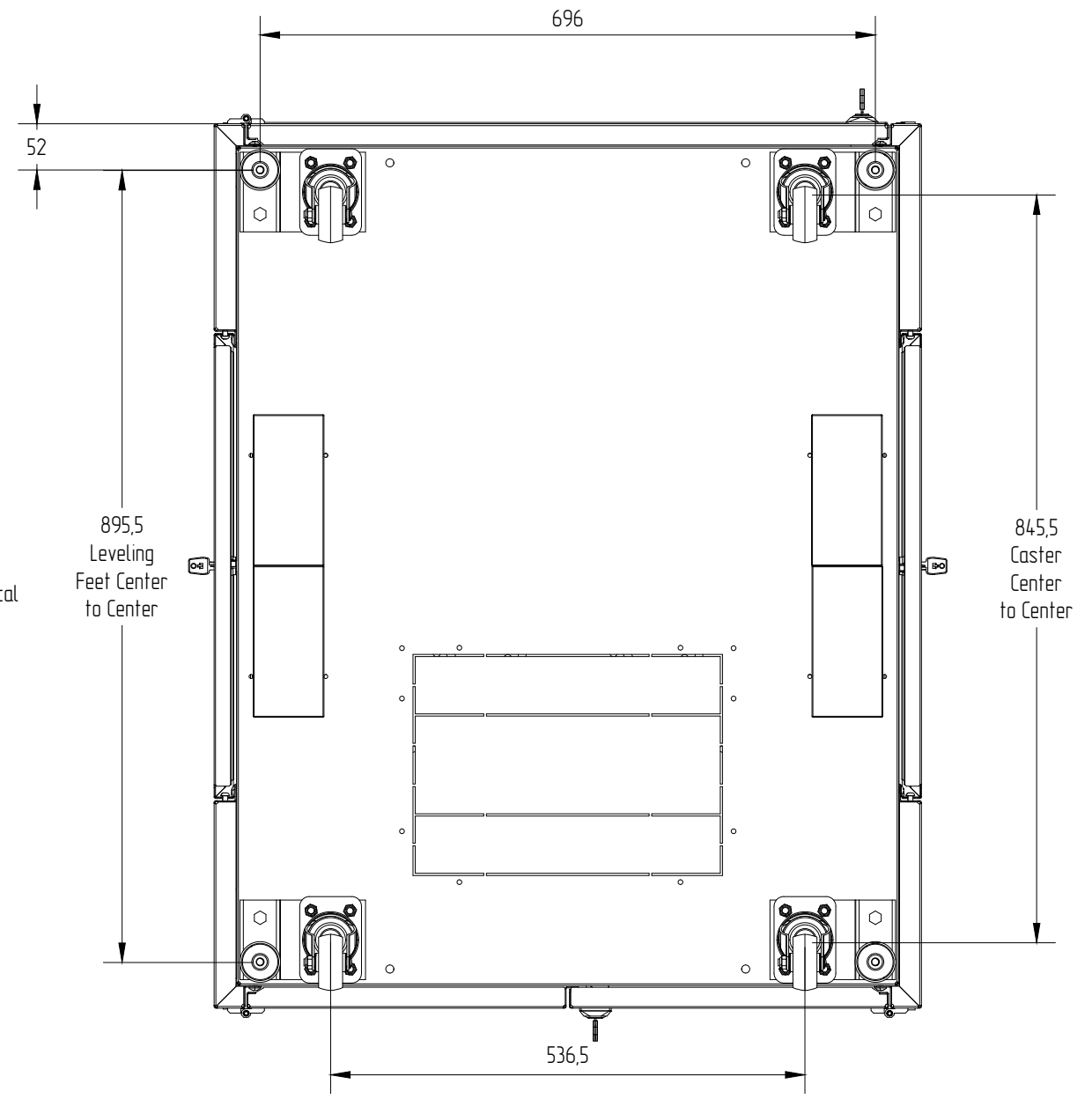
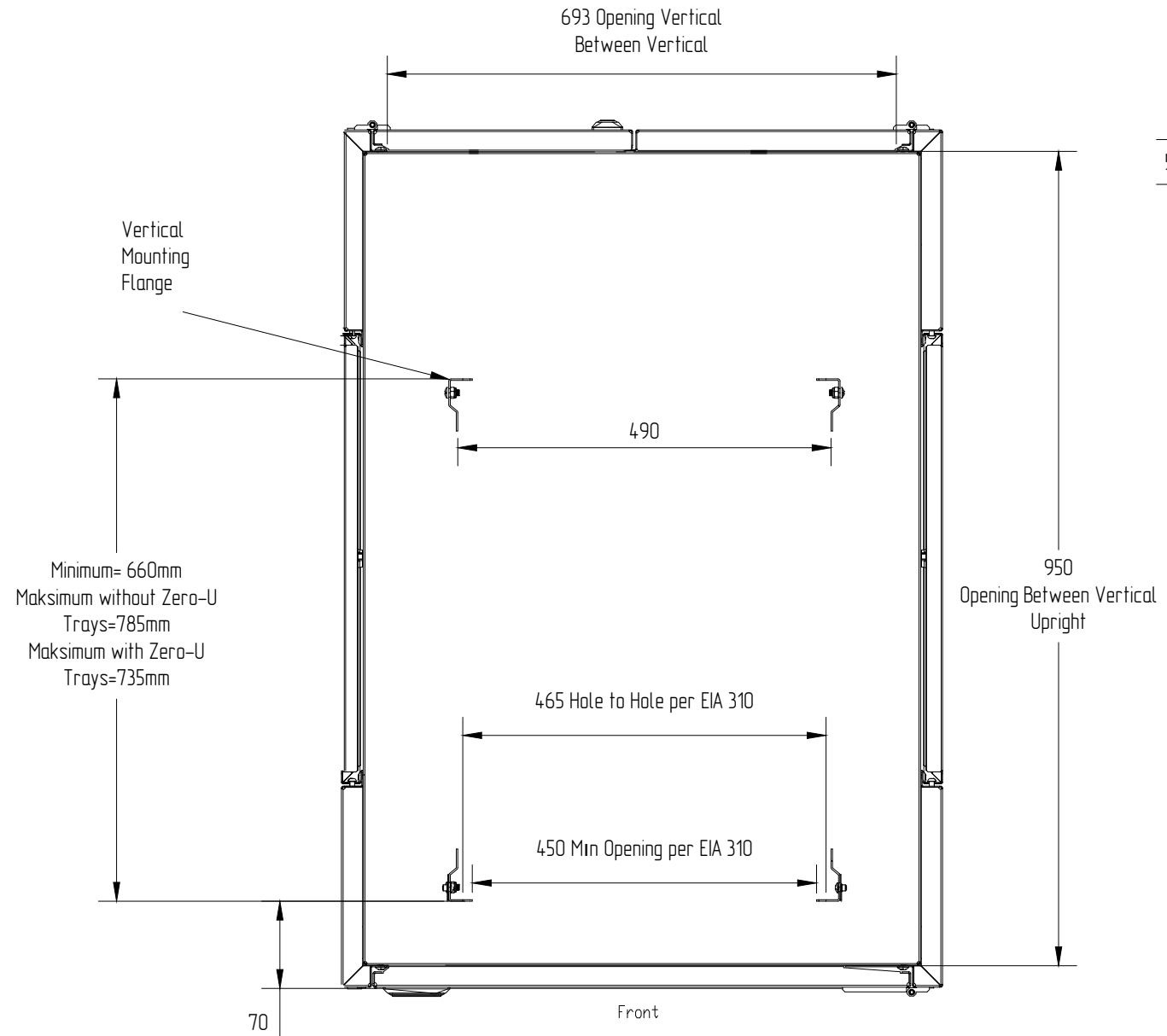
Подп. и дата

И.в.Н дубл.

Взам.и.в.Н

Подп. и дата

И.в.Н подл.



Bottom View
Bottom Cover Not Shown For Clarity

- 1.-2.4≤A-B≤2.4; -2.4≤C-D≤2.4; -2.4≤E-F≤2.4
- 2. DOORS CAN BE QUICK RELEASE
- 3. STATIC LOADING: DESIGN 700kg; TEST 900kg.
- 4. All dimensions is in mm.
- 5. Grounding cables is in box. 5set
- 6. Casters are not included in the regular cabinet kit.

Изм	Лист	N докум.	Подп.	Дата	N2000 SERIES RACK 600 × 1000 MM 60F-18-8A-21BL, 60F-24-8A-21BL, 60F-36-8A-21BL 60F-42-8A-21BL, 60F-48-8A-21BL	Лист			
Разраб.						0			
Проб.									4
Т.контр.						Лист 3	Листов		
Н.контр.									
Утв.									

Копировал

Формат А3

Перв. примен.

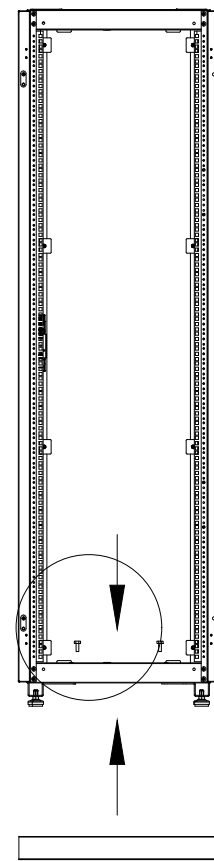
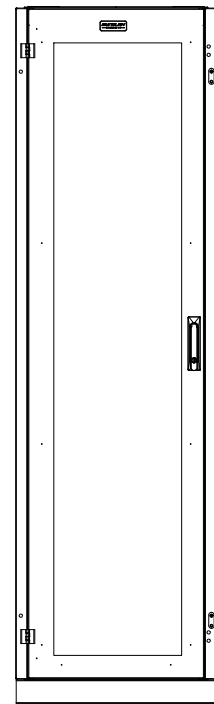
Справ. N

Подп. и дата

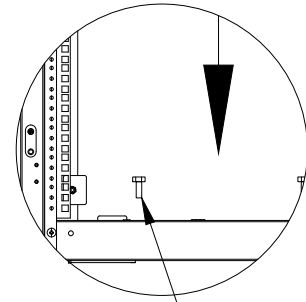
ВзаминьN

Подп. и дата

Инд. N подл.



Anchoring Kit Assembly



spanner head screw

Front View
Anchoring Kit illustrated and without front door

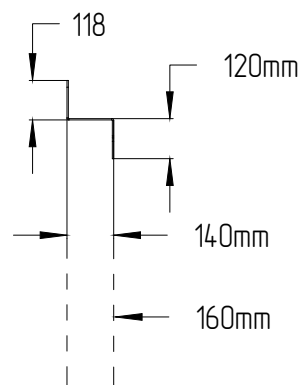
Front View



Top View

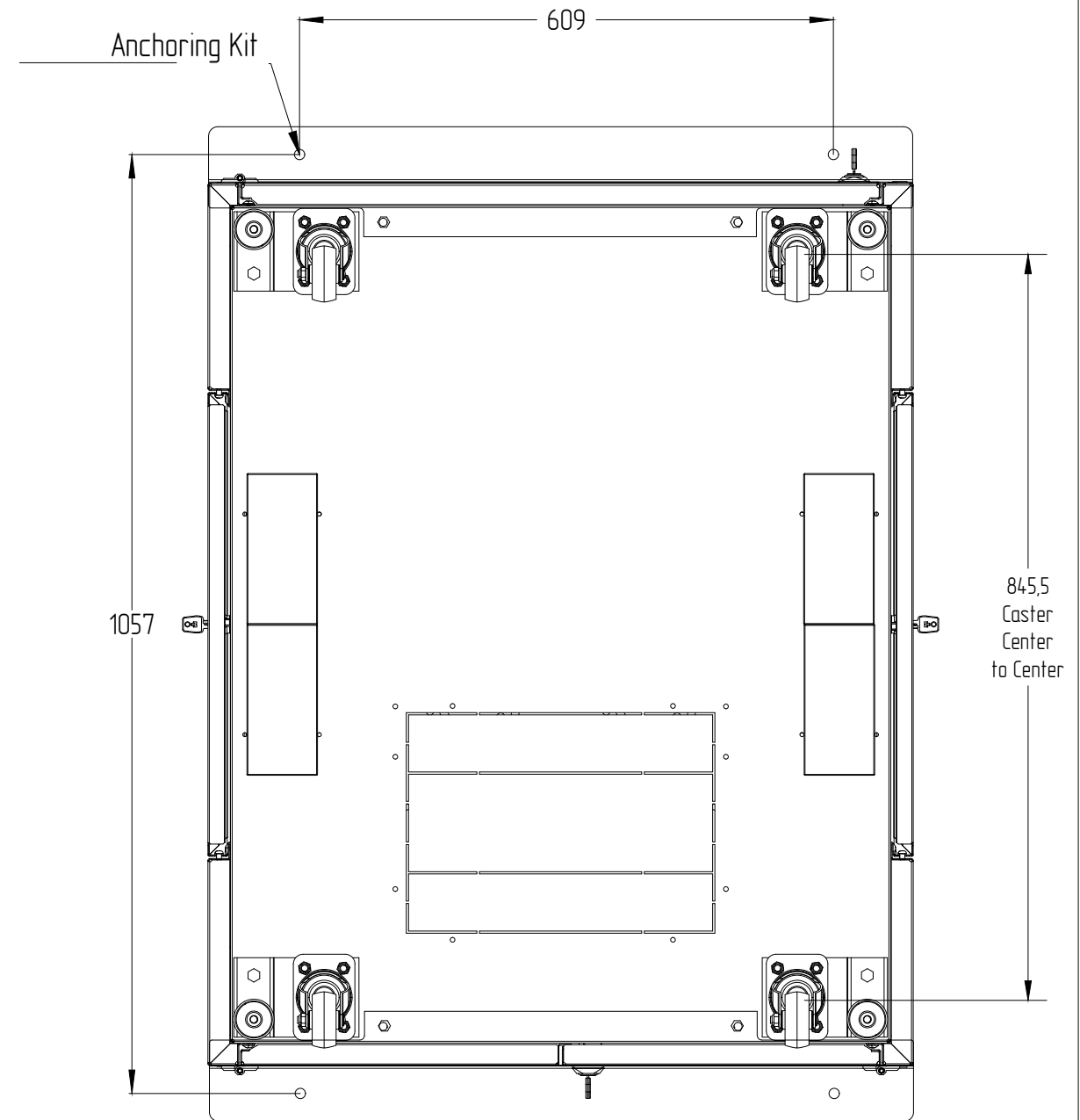


Left View



→ Type_1 Cabinet with Levelling feet

→ Type_2 Cabinet with Caster



1. -2.4 ≤ A-B ≤ 2.4; -2.4 ≤ C-D ≤ 2.4; -2.4 ≤ E-F ≤ 2.4
2. DOORS CAN BE QUICK RELEASE
3. STATIC LOADING: DESIGN 700kg; TEST 900kg.
4. All dimensions is in mm.
5. Grounding cables is in box. 5set
6. Casters are not included in the regular cabinet kit.
7. Anchoring is not included in the regular cabinet kit.

Изм.	Лист	N докум.	Подп.	Дата	N2000 SERIES RACK 600 × 1000 MM 60F-18-8A-21BL, 60F-24-8A-21BL, 60F-36-8A-21BL 60F-42-8A-21BL, 60F-48-8A-21BL	Лист			
Разраб.						0			
Проб.									4
Т.контр.						Лист 4	Листов		
Н.контр.						EUFOLAN — CONNECT IT —			
Утв.									

Копировал

Формат А3

Перв. примен.

Справ. N

Подп. и дата

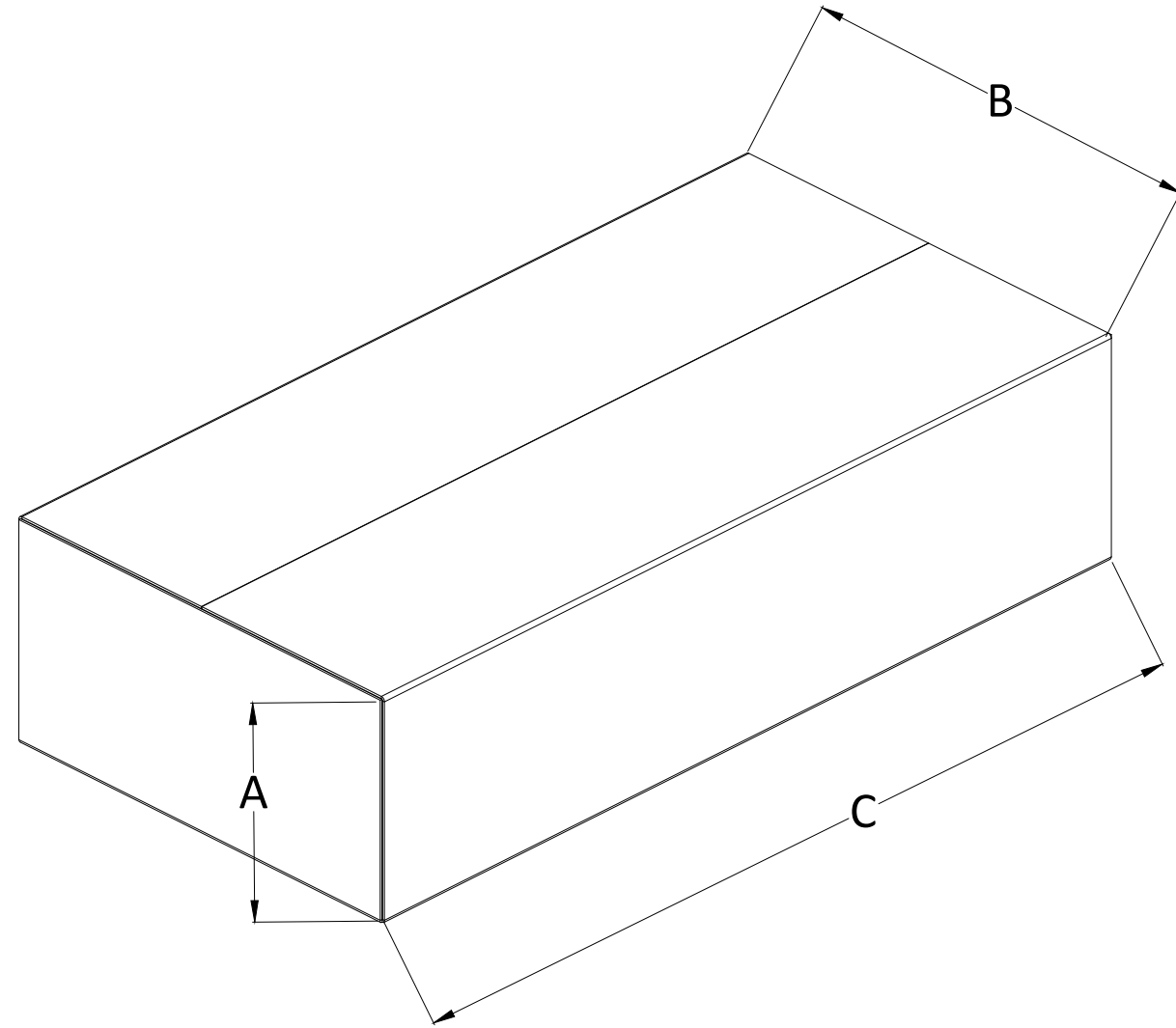
Вариант

Подп. и дата

Исполн.

- 1.- $2.4 \leq A-B \leq 2.4$; $-2.4 \leq C-D \leq 2.4$; $-2.4 \leq E-F \leq 2.4$
2. DOORS CAN BE QUICK RELEASE
3. STATIC LOADING: DESIGN 700kg; TEST 900kg.
4. All dimensions is in mm.
5. Grounding cables is in box. 5set
6. Casters are not included in the regular cabinet kit.
7. Anchoring is not included in the regular cabinet kit.

		A	B	C
48U	600x600	245	640	2272
	600x800	245	640	2272
	600x1000	245	640	2272
	800x800	245	855	2272
	800x1000	245	855	2272
42U	600x600	245	640	2005
	600x800	245	640	2005
	600x1000	245	640	2005
	800x800	245	855	2005
	800x1000	245	855	2005
36U	600x600	245	640	1738
	600x800	245	640	1738
	600x1000	245	640	1738
	800x800	245	855	1738
	800x1000	245	855	1738
24U	600x600	245	640	1205
	600x800	245	640	1205
	600x1000	245	640	1205
	800x800	245	855	1205
	800x1000	245	855	1205
18U	600x600	245	640	938
	600x800	245	640	938
	600x1000	245	640	938
	800x800	245	855	938
	800x1000	245	855	938



Изм.	Лист	N докум.	Иш.	Дата	N2000 SERIES RACK 600 x 1000 MM 60F-18-8A-21BL, 60F-24-8A-21BL, 60F-36-8A-21BL 60F-42-8A-21BL, 60F-48-8A-21BL	Лист	Нача	Масштаб
Разраб.						0		
Проб.						Лист 1	Листов 1	
Т.контр.								
Н.контр.								
Утв.								

Копировал

Формат А3