

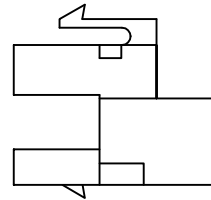
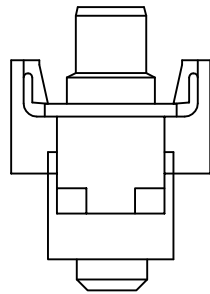
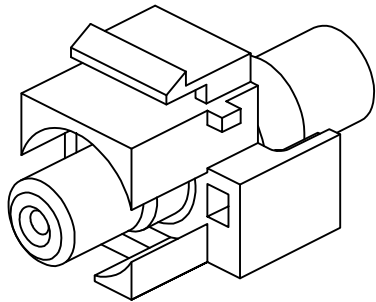
4

3

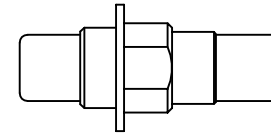
2

1

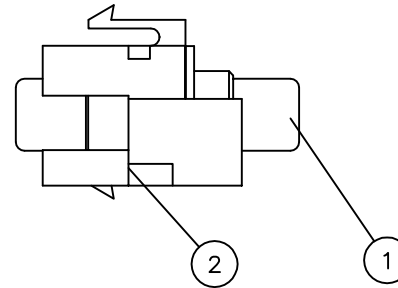
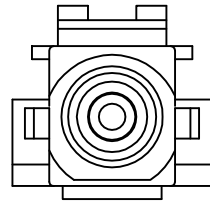
REVISIONS				
ZONE	REV	DESCRIPTION	DATE	APPROVED



HOUSING



COUPLER RCA CONNECTOR



SPECIFICATIONS:

A. MATERIALS:

1. HOUSING: ABS UL94V-0
2. COLORS: WHITE, IVORY
3. CONNECTOR: RCA COUPLER, FEMALE TO FEMALE  
BRONZE WITH NICKEL PLATING, BLACK INSULATION.

LTR	DESCRIPTION	P/N	MATERIAL	Q'TY
1	COUPLER RCA CONNECTOR	LE000107G	BRASS NICKEL PLATED	1
2	HOUSING	LP932	ABS 94V-0	1

UNLESS OTHERWISE SPECIFIED: TOLERANCES DECIMAL ~20 ±0.1mm    ANGULAR ±0'50' OVER 20~60 ±0.15mm OVER 60~ ±0.2mm	PROJECT ID 16B-RC-04WT		<b>EUROLAN</b>			
	FILE	DATE				TITLE RCA keystone module white IN-LINE
	MATERIAL	DRAWN	SIZE	DRAWING NUMBER	PART NUMBER	REV
	SURFACE	CHECK	SCALE 1 : 1    UNIT mm    SHEET			
FINISH	APPROVED					

D

C

B

A