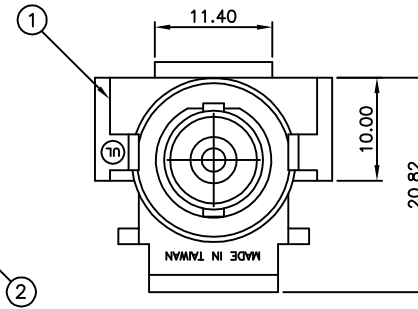
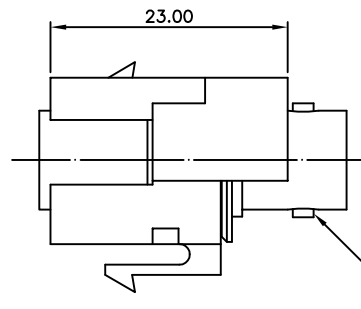
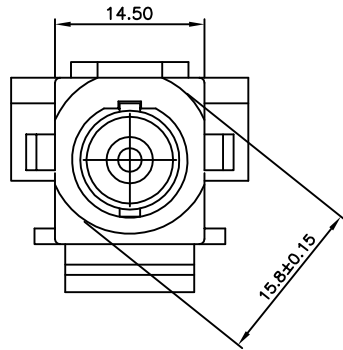
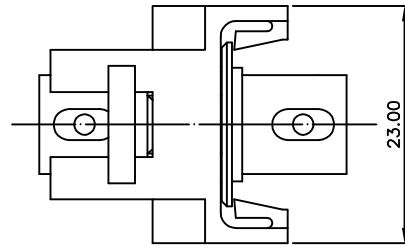


REVISIONS				
ZONE	REV	DESCRIPTION	DATE	APPROVED



NOTES:

- 1.DIMENSIONS ARE IN MILLIMETERS.
- 2.MATERIAL:
HOUSING:ABS 94V-0
F CONNECTOR:BRONZE OR ZINC ALLOY
- 3.COLOR:
HOUSING:E-IVY
- 4.FINISH:
F CONNECTOR:NICKEL PLATING 100u"
- 5.UNLESS ORTHERWISE SPECIFIED TOLERANCE
FOLLOWING-HOUSING:(1)TOLERANCE±0.2mm
(2)ANGULAR:±5'
F CONNECTOR:(1)TOLERANCE:±0.15mm
(2)ANGULAR:±0'30"
- 6.Impedance: 50 ohm

ITEM	PART NAME	DESCRIPTION	Q'TY	REMARK
②	F CONNECTOR	NICKEL PLATING	1	NL 100u"
①	HOUSING	ABS 94V-0	1	

UNLESS OTHERWISE SPECIFIED: TOLERANCES		PROJECT ID 16B-BN-03WT		EUROLAN			
DECIMAL	ANGULAR	FILE	DATE				
~20 ±0.1mm	±0'50'			Module BNC keystone			
OVER 20~60 ±0.15mm							
OVER 60~ ±0.2mm				SIZE	DRAWING NUMBER	PART NUMBER	REV
MATERIAL	DRAWN			SCALE 2:1 UNIT mm SHEET			
SURFACE	CHECK						
FINISH	APPROVED						