

### TRANSMISSION PERFORMANCE

Meet all requirements specified in connecting hardware requirement of ANS/TTA-568-C.2 Cat.6

### ELECTRICAL

Electrical Insulation Resistance : 500MΩ min. @ 100V d.c  
 Dielectric Withstanding Voltage : 1000V RMS @ 60Hz for 1 minute

### MECHANICAL

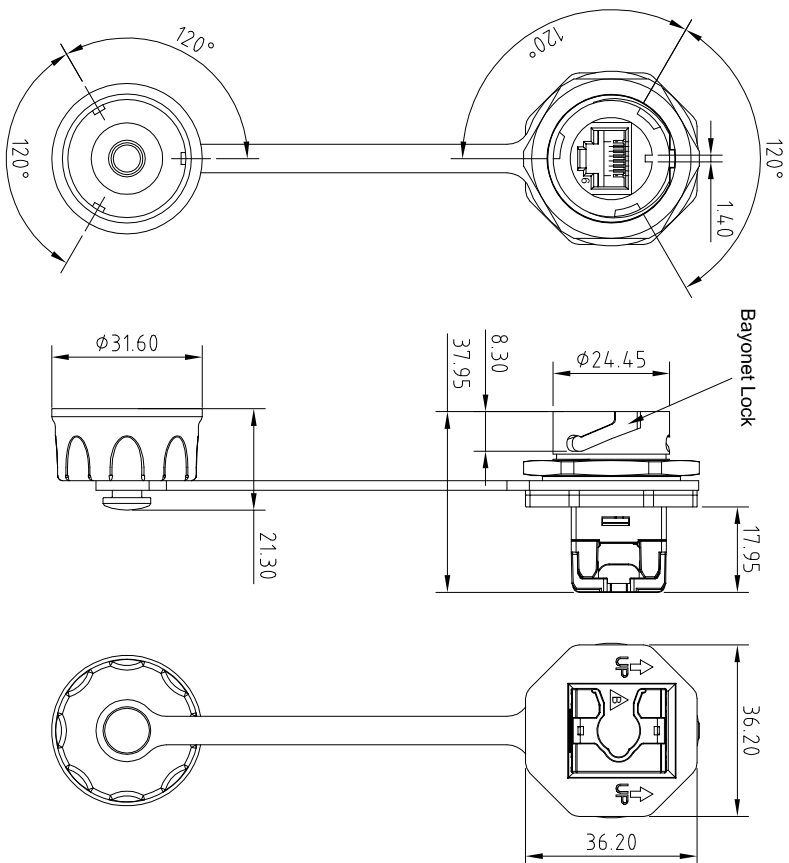
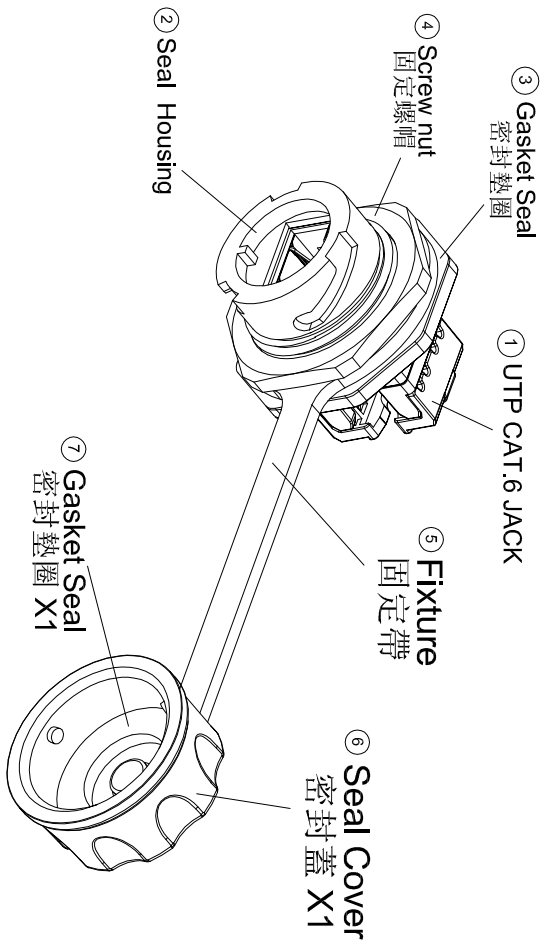
Insertion / Extraction Life : 750 Cycles Minimum  
 IDC Wire Gauge : 22 ~ 24 AWG

### PHYSICAL

Housing : High-Impact, Flame-Retardant Plastic, UL 94V0  
 Spring Wire : Phosphor Bronze Alloy Plated With 50 micro-inch of Gold  
 IDC : Phosphor Bronze Alloy With 100 micro-inch Tin Plated With 100% Tin. Mist.

### International Protection Code meet IP67

COMPONENTS		
ITEM	PART NAME	QTY
1	UTP CAT6 JACK	1
2	Seal Housing(LP1954B)	1
3	Gasket Seal(LP1959)	1
4	Screw Nut(LP1955)	1
5	Fixture(LP1964)	1
6	Seal Cover(LP1957)	1
7	Gasket Seal(LP1961)	1



### REVISIONS

ZONE	REV	DESCRIPTION	DATE	DRAWN
	A	工新字 EG15059	10/13/15	Raymond
	B	變更CAP標仕,ECN:ME17270	07/27/17	NICK

UNLESS OTHERWISE SPECIFIED:		PROJECT ID		TITLE	
INCH	TOLERANCES	16B-U6-67BL		IP 67 C6 UTP keystone jack	
X ± 0.16	ANGULAR	FILE	DATE	SIZE	DRAWING NUMBER
XXX ± 0.02	X ± 0.2	Z4352.DWG	10/13/15	A4	Z4352
MATERIAL	DRAWN	CHECK	APPROVED	SCALE	UNIT
	Raymond			1:1	MM
SURFACE FINISH				SHEET	1 OF 1

**EURDOLAN**