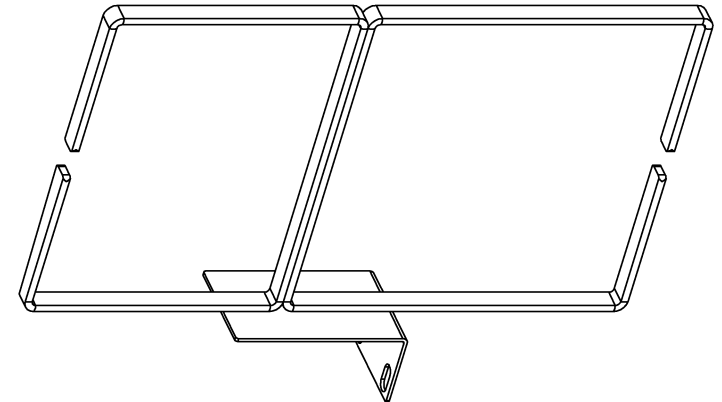
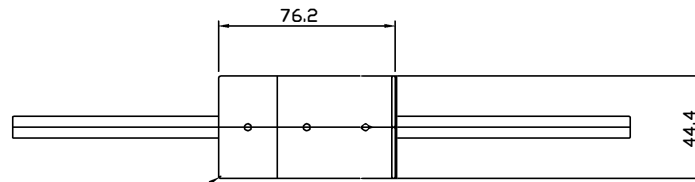
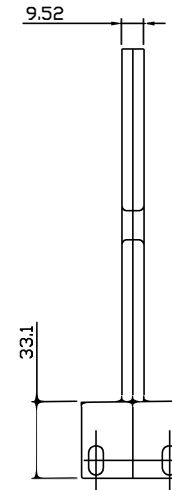


REVISIONS				
ZONE	REV	DESCRIPTION	DATE	DRAWN



NOTES:

1. MATERIAL: 16 GAUGE CRS(t=1.50mm),
RING:1/8"X3/8" STRIP C.R.S
2. FINISH: BLACK POWDER COATED, CARDINAL FINISH,
BREAK SHARP CORNERS AND EDGES.
3. 表面處理:平光霧面烤漆

UNLESS OTHERWISE SPECIFIED: TOLERANCES		PROJECT ID 60A-19-54BL	EUROLAN	
INCH .X ± .016 .XX ± .008 .XXX ± .004	MM X ± 0.2 .XX ± 0.1 X ± .5	ANGULAR X ± 1° X ± .5°	FILE	DATE
MATERIAL	DRAWN		TITLE Cable Ring	
SURFACE	CHECK		SIZE	DRAWING NUMBER
FINISH	APPROVED		PART NUMBER	REV
SCALE 1 : 1			UNIT	SHEET