

4

3

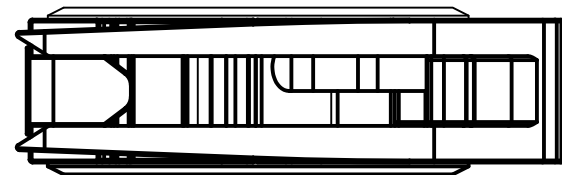
2

1

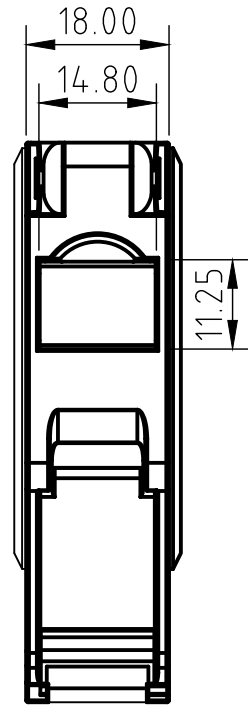
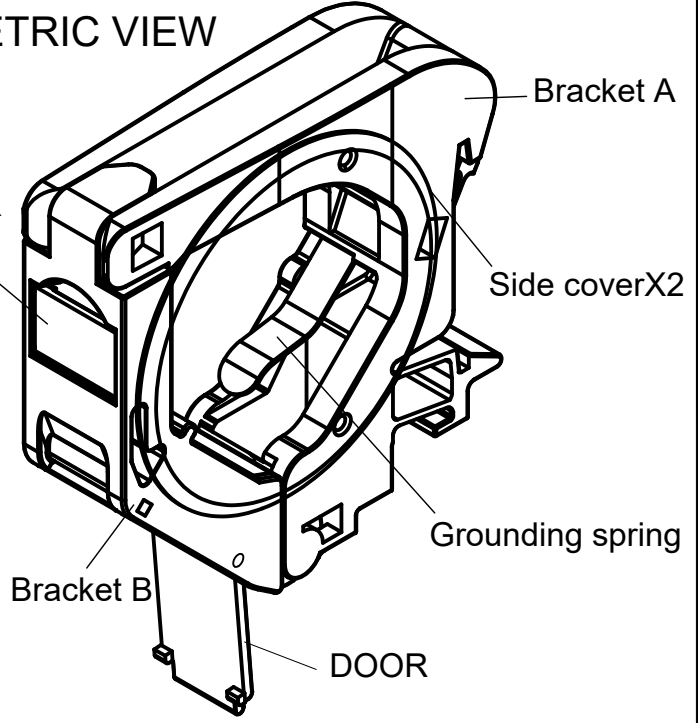
REVISIONS				
ZONE	REV	DESCRIPTION	DATE	DRAWN
	A	EG09012	02/18'09	Jason
	B	ECN:ME12194	06/12'12	JASON

ASSEMBLY DIMENSION

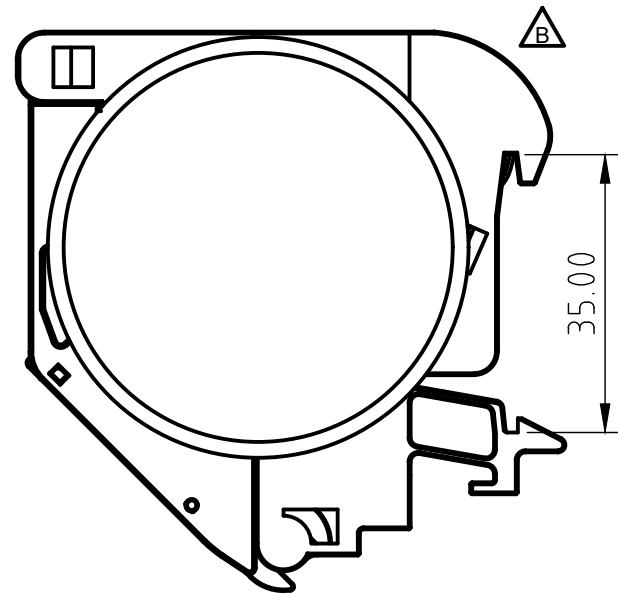
ISOMETRIC VIEW



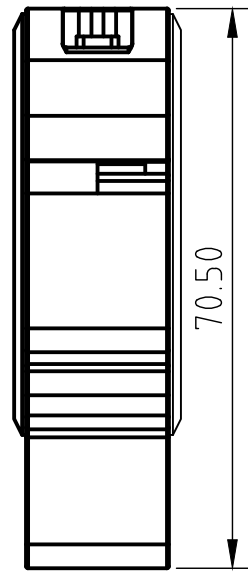
TOP



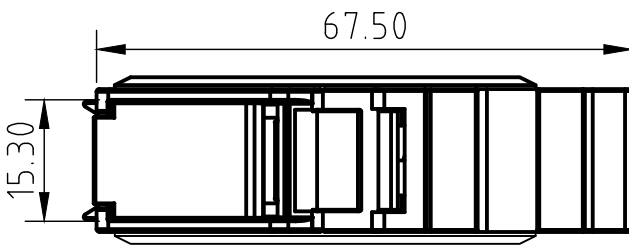
LEFT SIDE



FRONT



REAR



BOTTOM

COMPONENTS		
ITEM	PART NAME	QTY
1	Bracket A	1
2	Grounding spring	1
3	Bracket B	1
4	WINDOW COVER	1
5	DOOR	1
6	Side cover	2

UNLESS OTHERWISE SPECIFIED: TOLERANCES		PROJECT ID 16B-00-42GY		Q:\ASSEMBLY\16B00\16B00D225\new_logo.JPG	
.X ± .016	.X ± 0.2	X ± 1°	FILE Z2719.dwg	DATE	TITLE
.XX ± .008	.XX ± 0.1	.X ± .5°	DRAWN Jason	11/14'08	Din Rail
.XXX ± .004			CHECK		
MATERIAL			APPROVED		SIZE A4
SURFACE					DRAWING NUMBER Z2719
FINISH					PART NUMBER
					REV B
					SCALE 1 : 1
					UNIT mm
					SHEET 1 of 1

D

C

B

A