

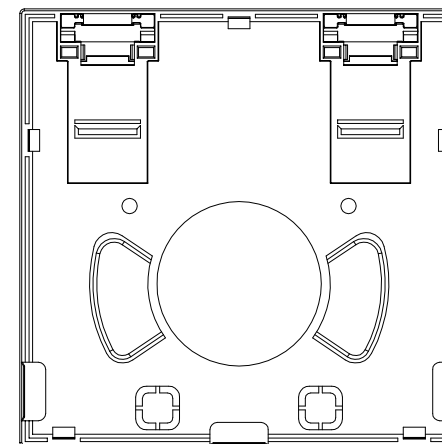
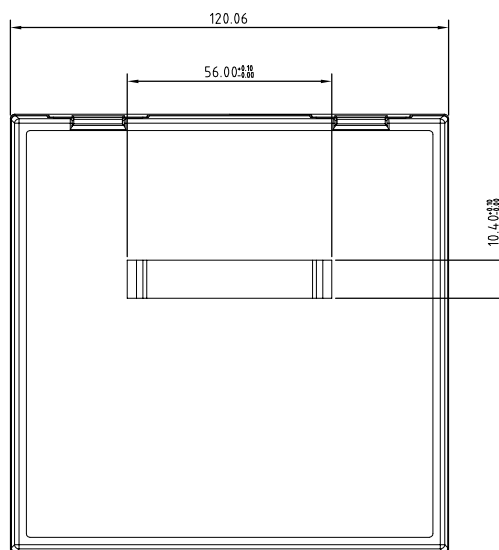
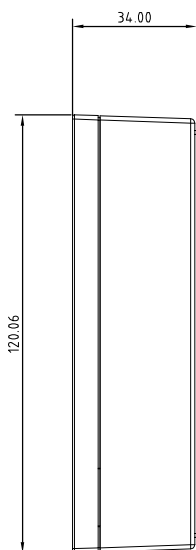
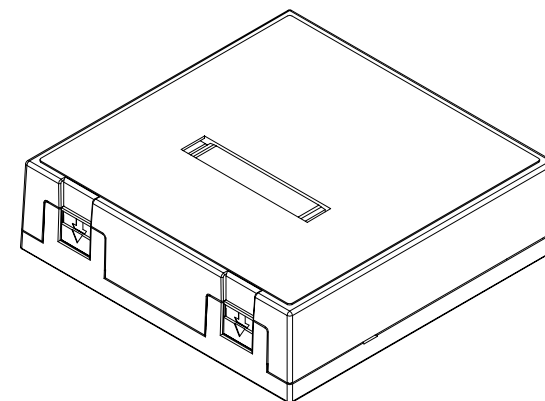
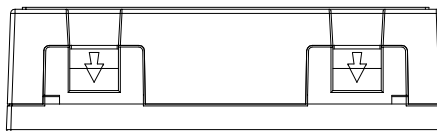
4

3

2

1

REVISIONS				
ZONE	REV	DESCRIPTION	DATE	DRAWN



**PACKAGING:**  
 1PC / Eurolan PE bag  
 45pcs / inner box  
 45pcs / Eurolan carton  
 Eurolan carton size: 515x400x230(mm)

UNLESS OTHERWISE SPECIFIED: TOLERANCES		PROJECT ID <b>12B-05-02WT</b>	<b>EUROLAN</b>	
INCH	MM	ANGULAR	FILE	DATE
.X ± .016	.X ± 0.2	X ± 1°		
.XX ± .008	.XX ± 0.1	X ± .5°		
.XXX ± .004				
MATERIAL	DRAWN		TITLE <b>Surface Mount Box</b>	
SURFACE	CHECK		SIZE	DRAWING NUMBER
FINISH	APPROVED		PART NUMBER	REV
			SCALE 1 : 1	UNIT (M)
			SHEET	