

Перв. примен.

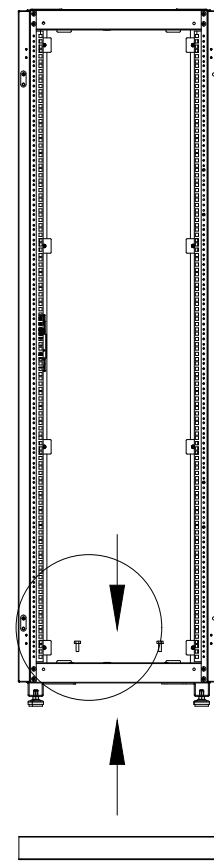
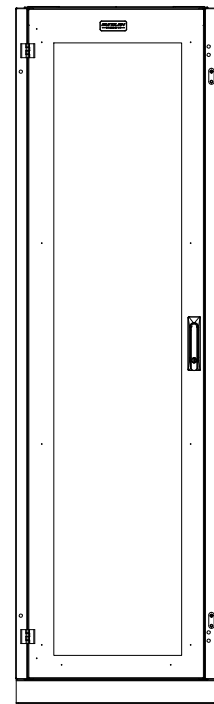
Справ. N

Подп. и дата

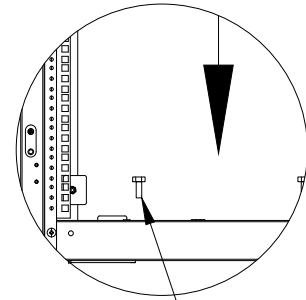
ВзаминьN

Подп. и дата

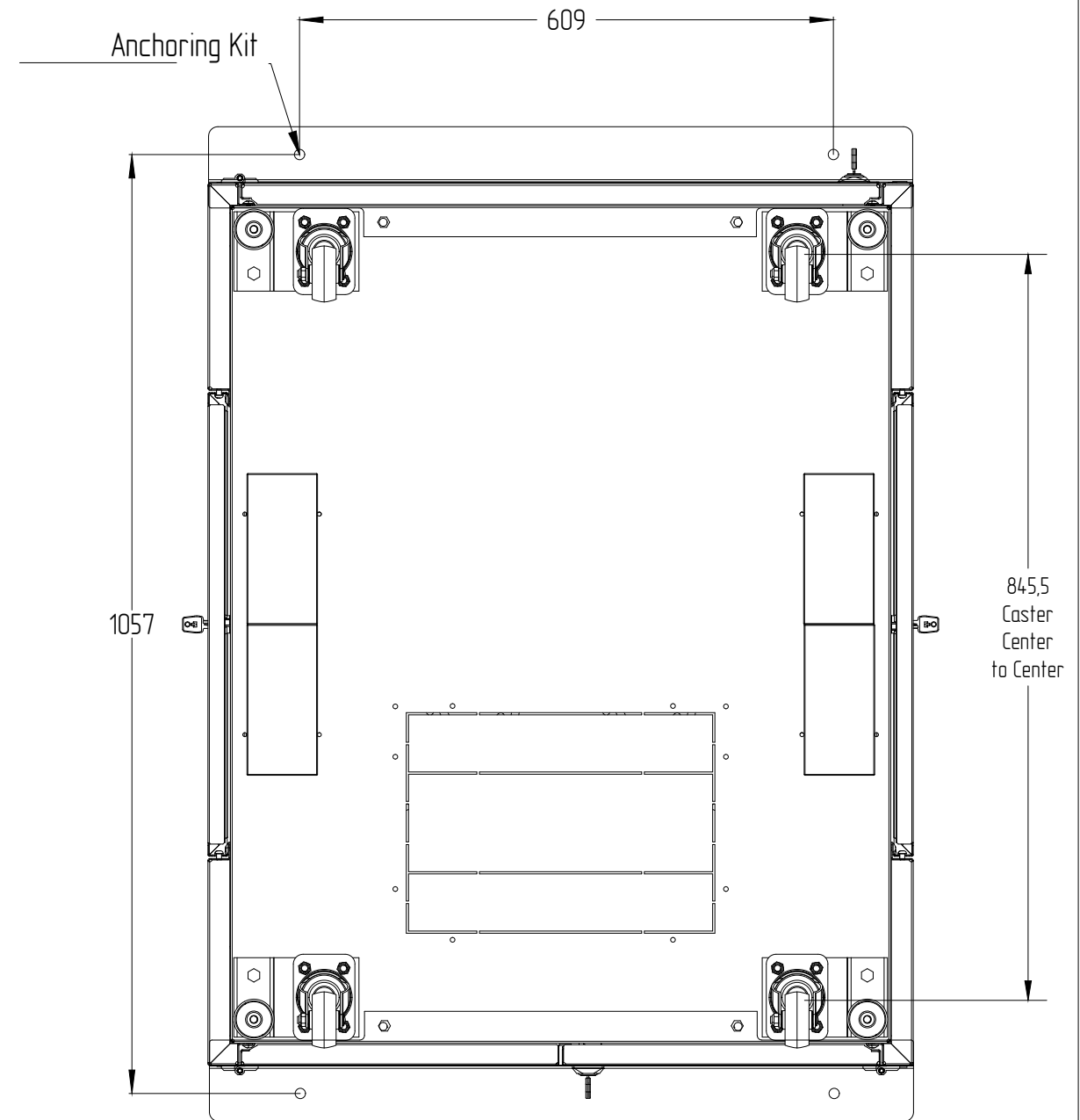
Инд. N подл.



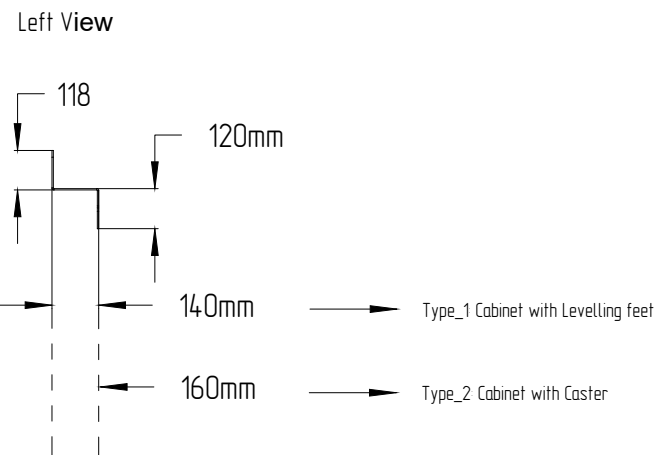
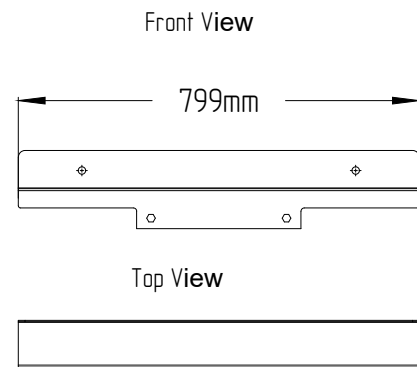
### Anchoring Kit Assembly



spanner head screw



Front View  
Anchoring Kit illustrated and without front door



1. -2.4≤A-B≤2.4; -2.4≤C-D≤2.4; -2.4≤E-F≤2.4
2. DOORS CAN BE QUICK RELEASE
3. STATIC LOADING: DESIGN 700kg; TEST 900kg.
4. All dimensions is in mm.
5. Grounding cables is in box. 5set
6. Casters are not included in the regular cabinet kit.
7. Anchoring is not included in the regular cabinet kit.

Изм.	Лист	N докум.	Подп.	Дата	N2000 SERIES RACK 600 × 1000 MM 60F-18-8A-21BL, 60F-24-8A-21BL, 60F-36-8A-21BL 60F-42-8A-21BL, 60F-48-8A-21BL	Лист	Листов
Разраб.				0			4
Проб.						Лист 4	Листов
Т.контр.							
Н.контр.							
Утв.							

Копировал

Формат А3

