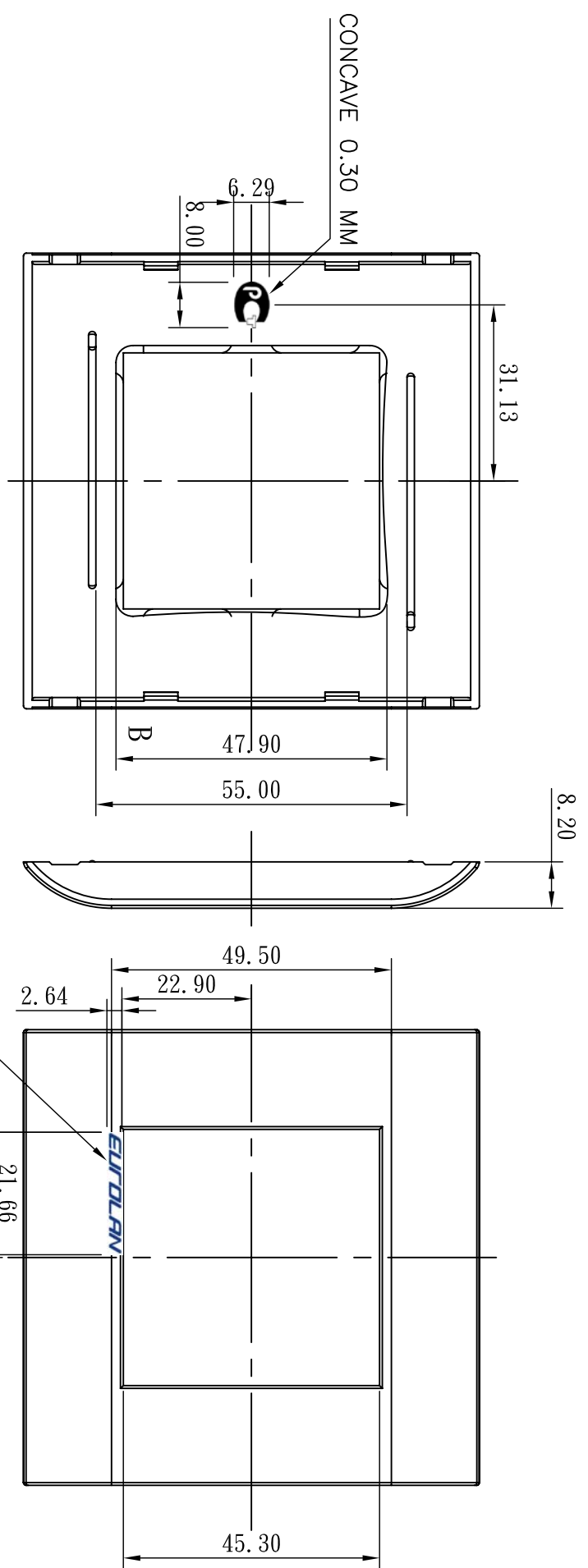


REVISIONS				
ZONE	REV	DESCRIPTION	DATE	DRAWN
	A			



NOTE:

1. PACKAGING: 1 PC/bag, 50 PCS/Eurolan box
 Eurolan box size: 225X180X100 mm
 12 PCS Eurolan box/Eurolan carton
 Eurolan carton size: 561X418X243 mm

UNLESS OTHERWISE SPECIFIED:		PROJECT ID		TITLE	
TOLERANCES		16M-00-02WT		EUROLAN	
INCH	MM	FILE	DATE	FACEPLATE	
.XX ± .016	.XX ± 0.2	Winnie			
.XXX ± .008	.XX ± 0.1	CHECK			
.XXX ± .004	.X ± .1	APPROVED			
ANGULAR		DRAWN		SIZE	
X ± 1°		Winnie		A4	
SURFACE		CHECK		DRAWING NUMBER	
FINISH		APPROVED		PART NUMBER	
				SCALE 1 : 1	
				UNIT MM	
				SHEET 1 OF 1	
				REV A	