

Перв. примен.

Справ. N

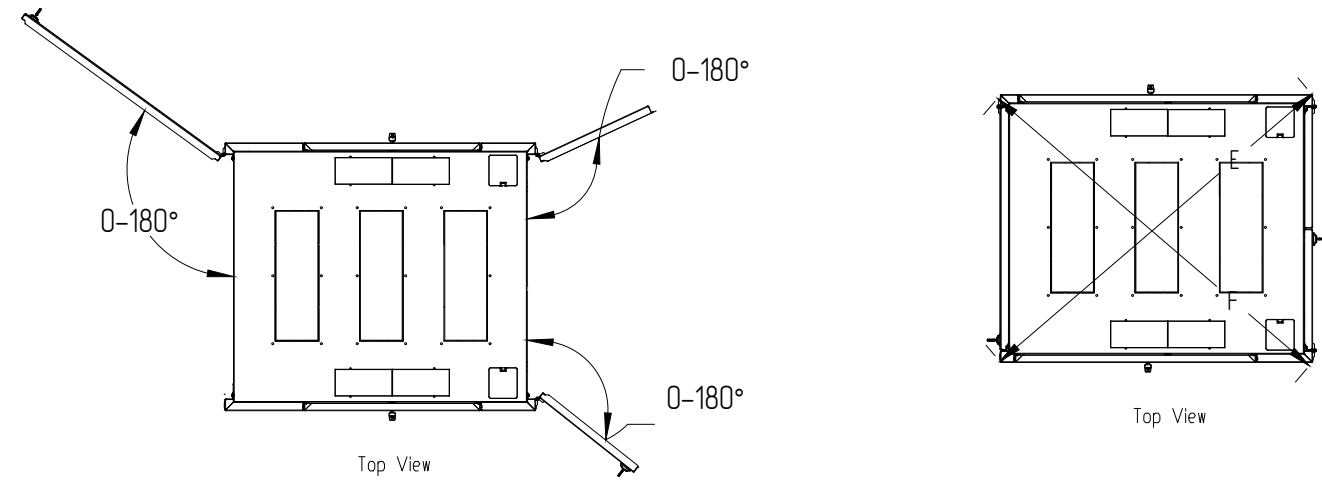
Подп. и дата

Инв. N дубл.

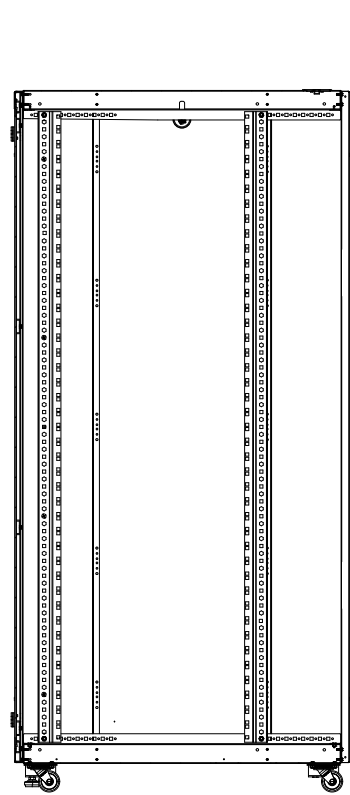
Взаминв. N

Подп. и дата

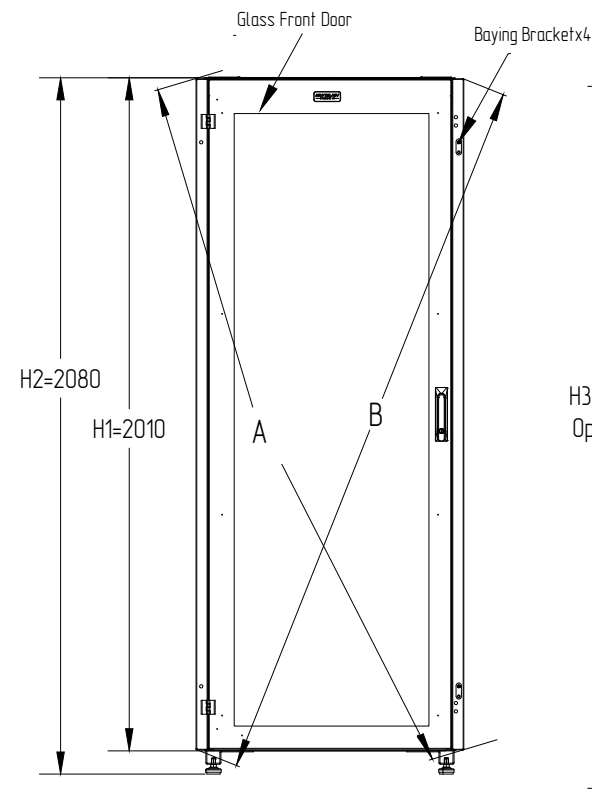
Инв. N подл.



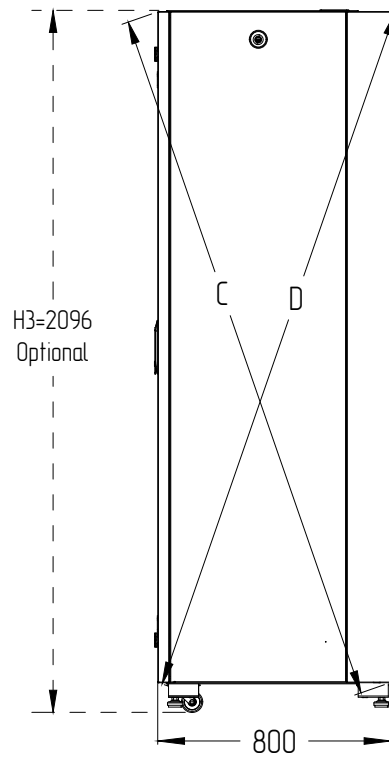
Code	U	H1 without feet and castor(mm)	H2 with feet(mm)	H3 with Castor(mm)
60F-48-88-21BL	48U	2277	2347	2363
60F-42-88-21BL	42U	2010	2080	2096
60F-36-88-21BL	36U	1744	1814	1830
60F-24-88-21BL	24U	1211	1281	1297
60F-18-88-21BL	18U	945	1015	1031



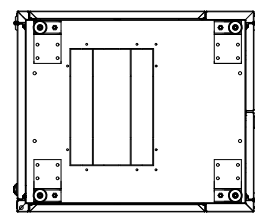
SECTION A-A  
Side View Without Side-Panel



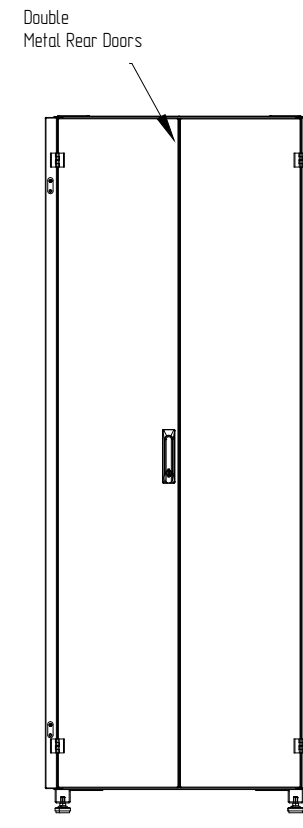
Front View



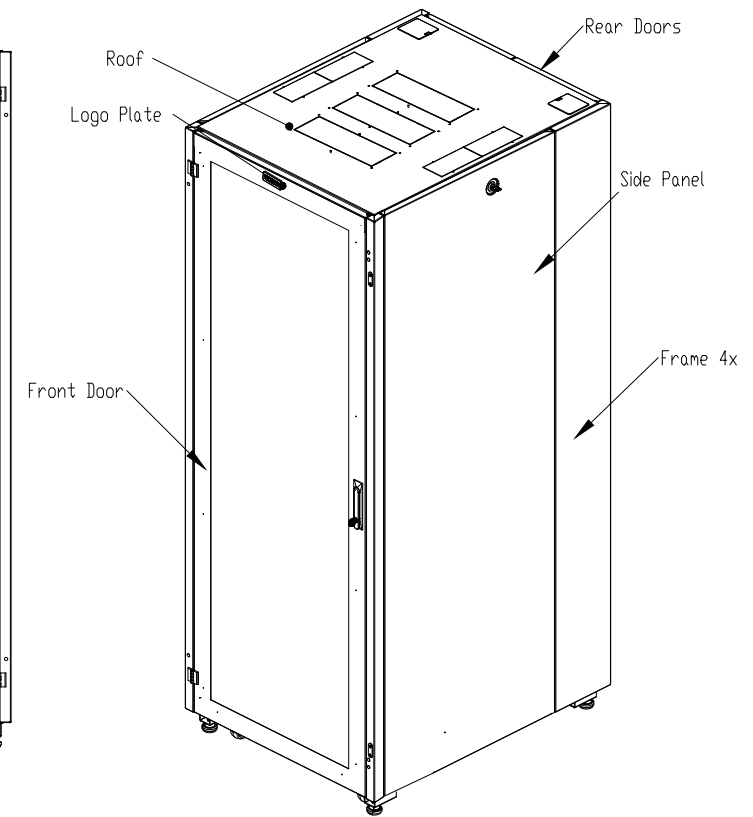
Side View



Bottom View



Rear View



- 1.-2.4≤A-B≤2.4; -2.4≤C-D≤2.4; -2.4≤E-F≤2.4
2. DOORS CAN BE QUICK RELEASE
3. STATIC LOADING: DESIGN 700kg; TEST 900kg.
4. All dimensions is in mm.
5. Grounding cables is in box. 5set
6. Casters are not included in the regular cabinet kit.

Изм.	Лист	N докум.	Подп.	Дата	N2000 SERIES RACK 800 × 1000 MM 60F-18-88-21BL, 60F-24-88-21BL, 60F-36-88-21BL 60F-42-88-21BL, 60F-48-88-21BL	Лист	Листов
Разраб.				0			4
Проб.						Лист 1	Листов
Т.контр.							
Н.контр.							
Утв.							

Копировал

Формат А3

Перв. примен.

Справ. N

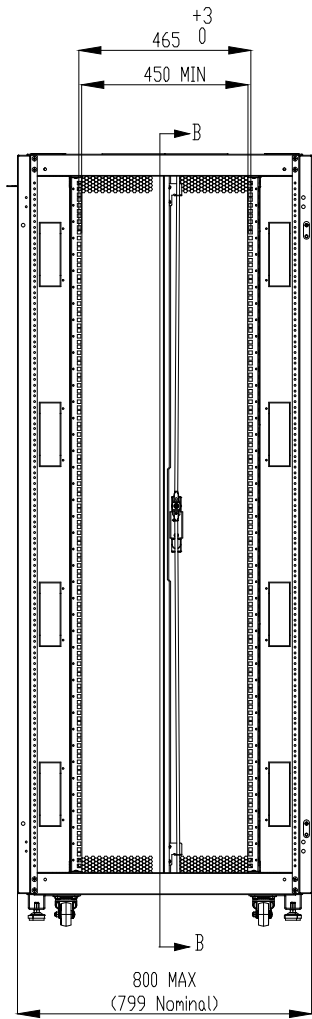
Подп. и дата

И-в. N дубл.

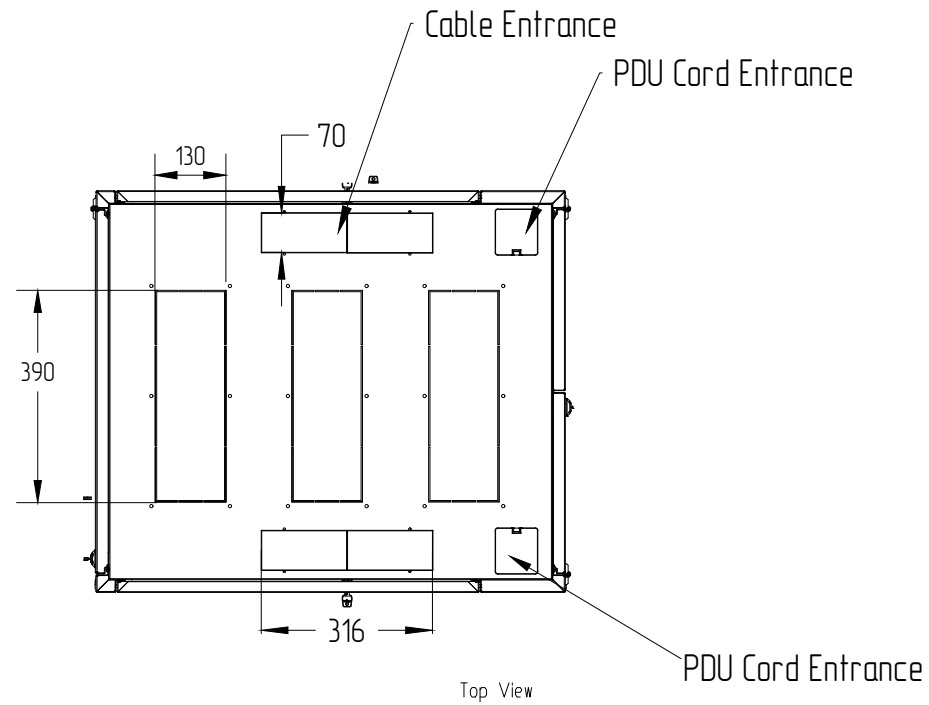
Взам.инв. N

Подп. и дата

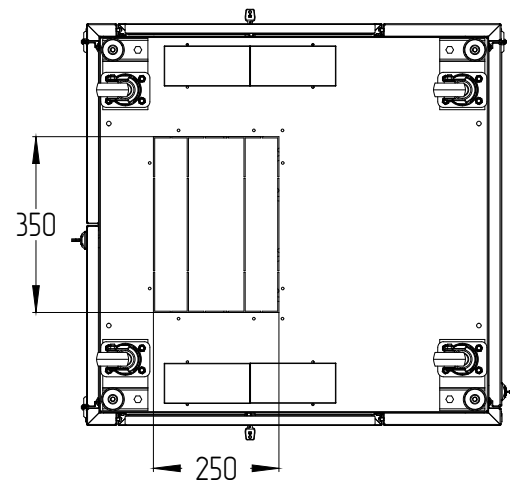
И-в. N подл.



Front View without front door

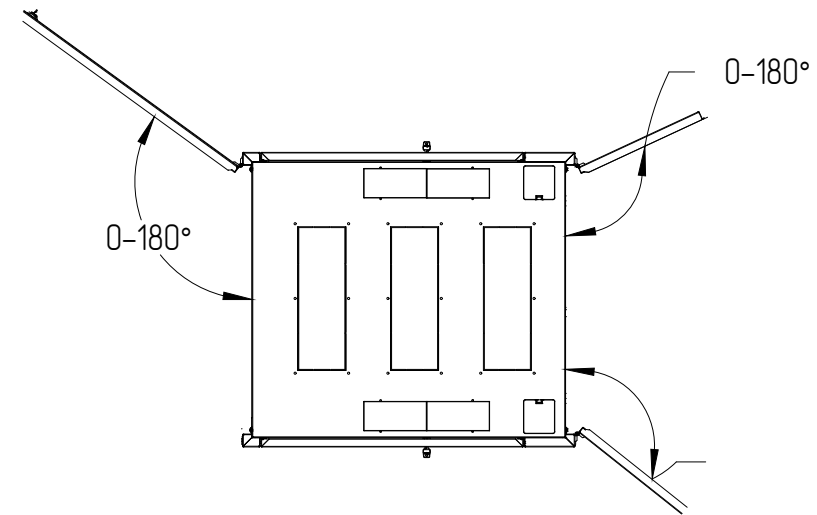


Top View



Bottom View

Code	Net weight(kg)	Gross weight(kg)
60F-48-88-21BL	121	132
60F-42-88-21BL	104	116
60F-36-88-21BL	93	105
60F-24-88-21BL	85	96
60F-18-88-21BL	75	85



Top View

- 1.-2.4 ≤ A-B ≤ 2.4; -2.4 ≤ C-D ≤ 2.4; -2.4 ≤ E-F ≤ 2.4
2. DOORS CAN BE QUICK RELEASE
3. STATIC LOADING: DESIGN 700kg; TEST 900kg.
4. All dimensions is in mm.
5. Grounding cables is in box. 5set
6. Casters are not included in the regular cabinet kit.

Изм.	Лист	N докум.	Подп.	Дата	N2000 SERIES RACK 800 × 1000 MM 60F-18-88-21BL, 60F-24-88-21BL, 60F-36-88-21BL 60F-42-88-21BL, 60F-48-88-21BL	Лист	
Разраб.						0	
Проб.							
Т.контр.							4
Н.контр.						Лист 2	Листов
Утв.					<b>EUROLAN</b> — CONNECT IT —		

Копировал

Формат А3

Перв. примен.

Справ. N

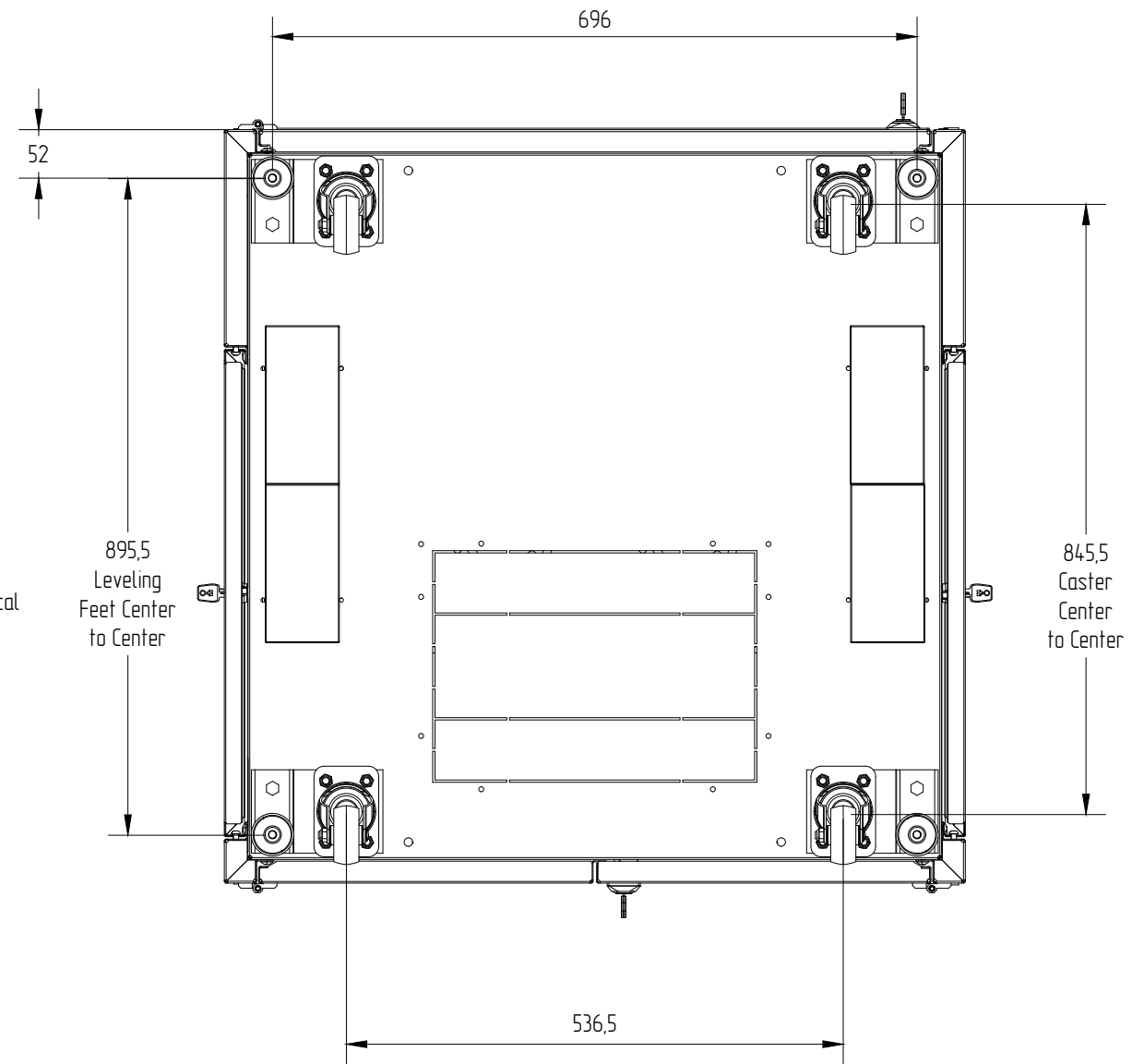
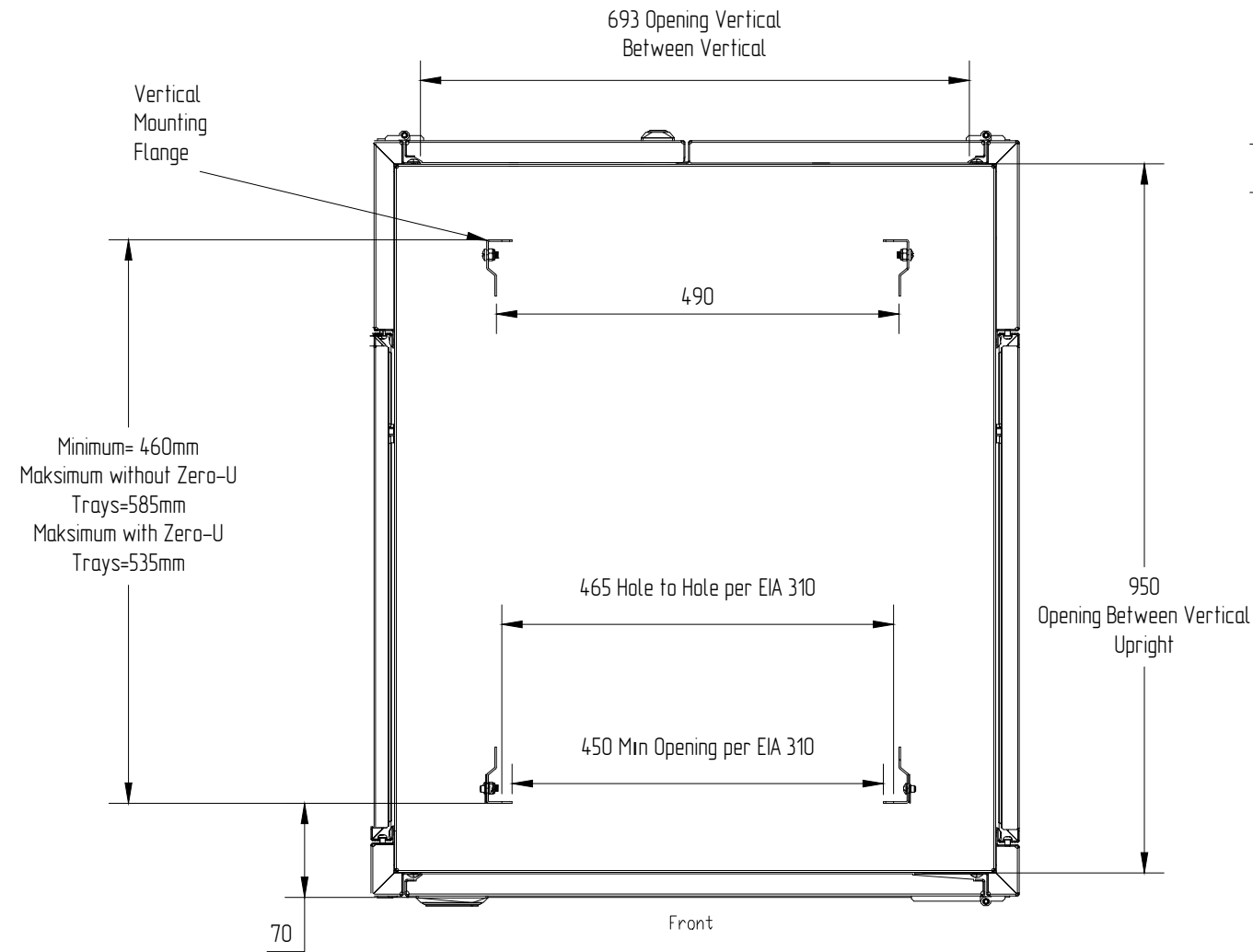
Подп. и дата

И.И.И.И.И.И.

Взаим.И.И.

Подп. и дата

И.И.И.И.И.И.



Bottom View  
Bottom Cover Not Shown For Clarity

- 1.-2.4≤A-B≤2.4; -2.4≤C-D≤2.4; -2.4≤E-F≤2.4
- 2. DOORS CAN BE QUICK RELEASE
- 3. STATIC LOADING: DESIGN 700kg; TEST 900kg.
- 4. All dimensions is in mm.
- 5. Grounding cables is in box. 5set
- 6. Casters are not included in the regular cabinet kit.

Изм	Лист	N докум.	Подп.	Дата	N2000 SERIES RACK 600 × 1000 MM 60F-18-88-21BL, 60F-24-88-21BL, 60F-36-88-21BL 60F-42-88-21BL, 60F-48-88-21BL	Лист			
Разраб.						0			
Проб.									4
Т.контр.						Лист 3	Листов		
И.контр.									
Утв.									

Перв. примен.

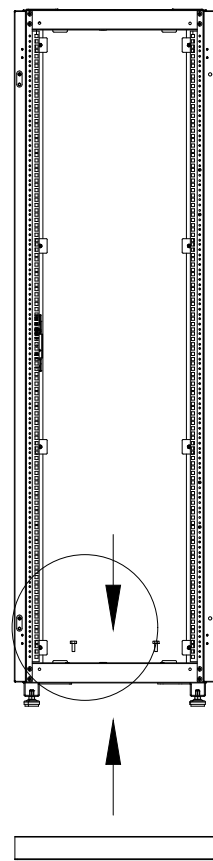
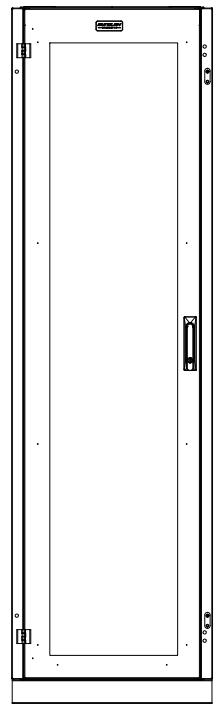
Справ. N

Подп. и дата

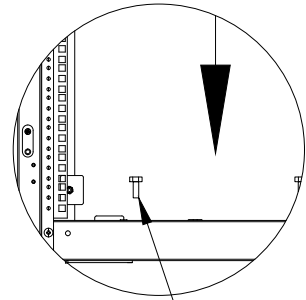
Взаминф. N

Подп. и дата

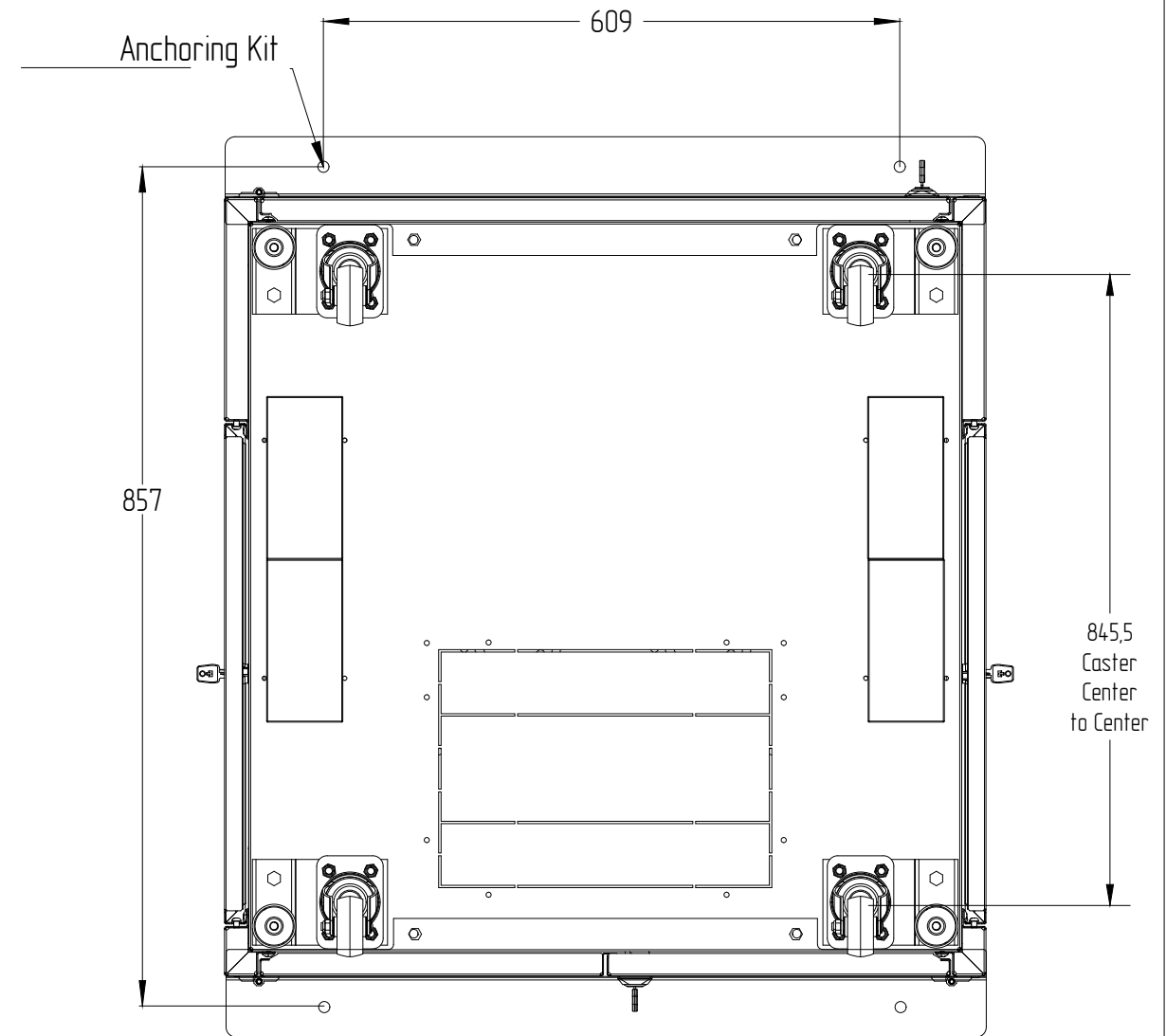
Инв. N подл.



### Anchoring Kit Assembly

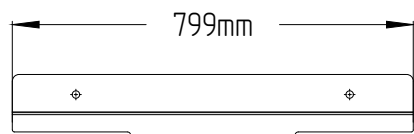


spanner head screw



Front View  
Anchoring Kit illustrated and without front door

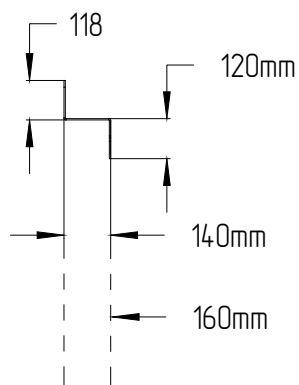
Front View



Top View



Left View



→ Type\_1 Cabinet with Levelling feet

→ Type\_2 Cabinet with Caster

1.  $-2.4 \leq A-B \leq 2.4$ ;  $-2.4 \leq C-D \leq 2.4$ ;  $-2.4 \leq E-F \leq 2.4$
2. DOORS CAN BE QUICK RELEASE
3. STATIC LOADING: DESIGN 700kg; TEST 900kg.
4. All dimensions is in mm.
5. Grounding cables is in box. 5set
6. Casters are not included in the regular cabinet kit.
7. Anchoring is not included in the regular cabinet kit.

Изм.	Лист	N докум.	Подп.	Дата	N2000 SERIES RACK 600 × 1000 MM 60F-18-88-21BL, 60F-24-88-21BL, 60F-36-88-21BL 60F-42-88-21BL, 60F-48-88-21BL	Лист			
Разраб.						0			
Проб.						Лист 4	Листов		
Т.контр.									
Н.контр.									
Утв.									

Копировал

Формат А3

Перв. примен.

Справ. N

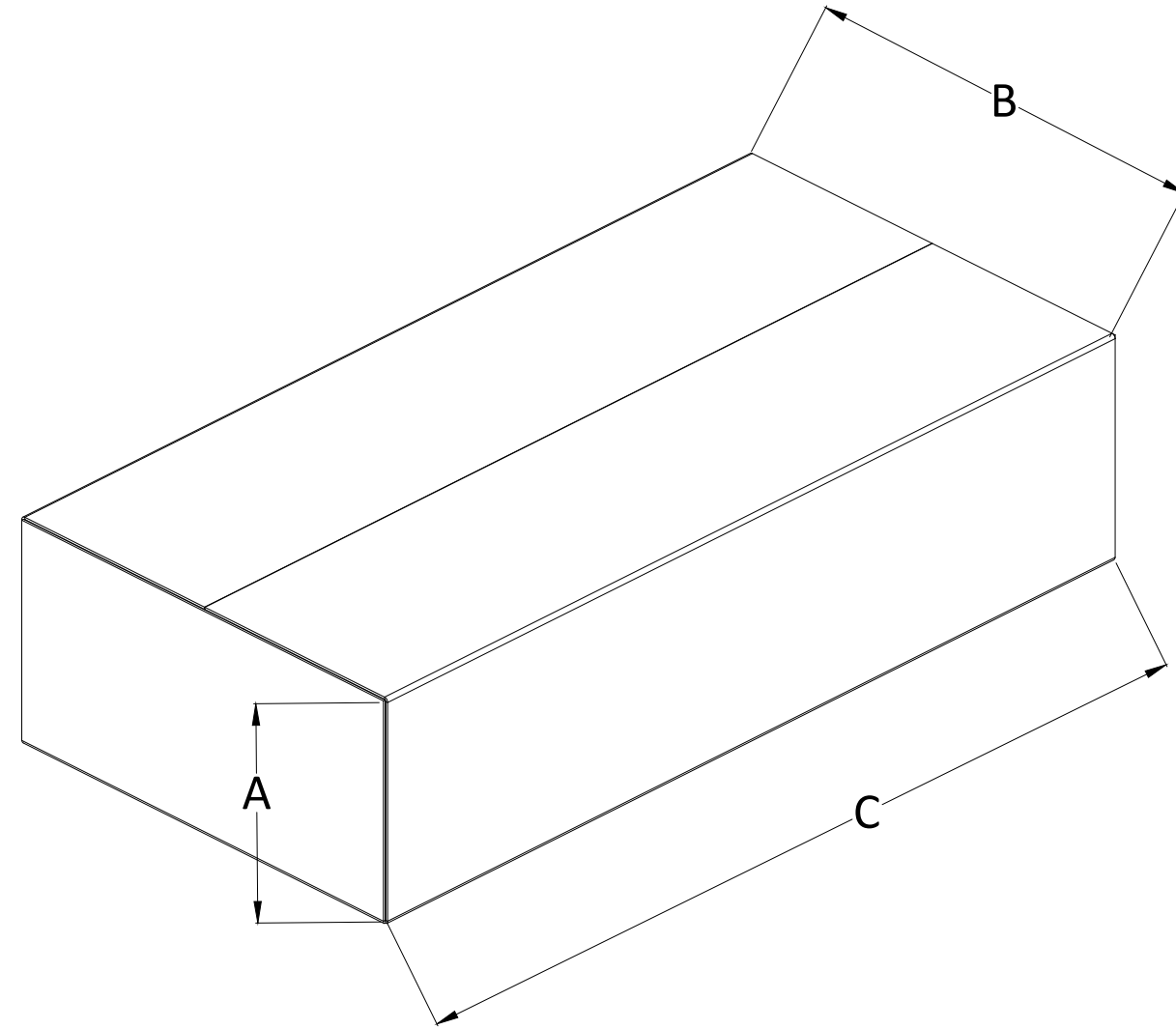
Подп. и дата

Подп. и дата

Исполн.

- 1.-2.4≤A-B≤2.4; -2.4≤C-D≤2.4; -2.4≤E-F≤2.4
2. DOORS CAN BE QUICK RELEASE
3. STATIC LOADING: DESIGN 700kg; TEST 900kg.
4. All dimensions is in mm.
5. Grounding cables is in box. 5set
6. Casters are not included in the regular cabinet kit.
7. Anchoring is not included in the regular cabinet kit.

		A	B	C
48U	600x600	245	640	2272
	600x800	245	640	2272
	600x1000	245	640	2272
	800x800	245	855	2272
	800x1000	245	855	2272
42U	600x600	245	640	2005
	600x800	245	640	2005
	600x1000	245	640	2005
	800x800	245	855	2005
	800x1000	245	855	2005
36U	600x600	245	640	1738
	600x800	245	640	1738
	600x1000	245	640	1738
	800x800	245	855	1738
	800x1000	245	855	1738
24U	600x600	245	640	1205
	600x800	245	640	1205
	600x1000	245	640	1205
	800x800	245	855	1205
	800x1000	245	855	1205
18U	600x600	245	640	938
	600x800	245	640	938
	600x1000	245	640 <td 938	
	800x800	245	855	938
	800x1000	245	855	938



Изм.	Лист	N докум.	Изд.	Дата	N2000 SERIES RACK 600 × 1000 MM 60F-18-88-21BL, 60F-24-88-21BL, 60F-36-88-21BL 60F-42-88-21BL, 60F-48-88-21BL	Лист	Масса	Масштаб
Разраб.						0		
Проб.						Лист 1		Листов 1
Т.контр.								
Н.контр.								
Утв.								

Копировал

Формат А3