

**TRANSMISSION PERFORMANCE**

Meet all requirement specified in connecting hardware requirement of:  
ANSI/TIA-568-C.2, Category 6.

**ELECTRICAL**

Electrical Insulation Resistance : 500MΩ min. @100V d.c  
Dielectric Withstanding Voltage : 1000V D.C or A.C Peak,

**MECHANICAL**

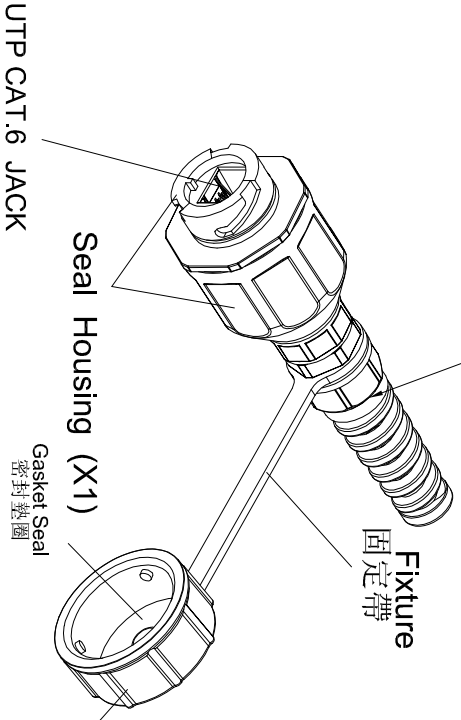
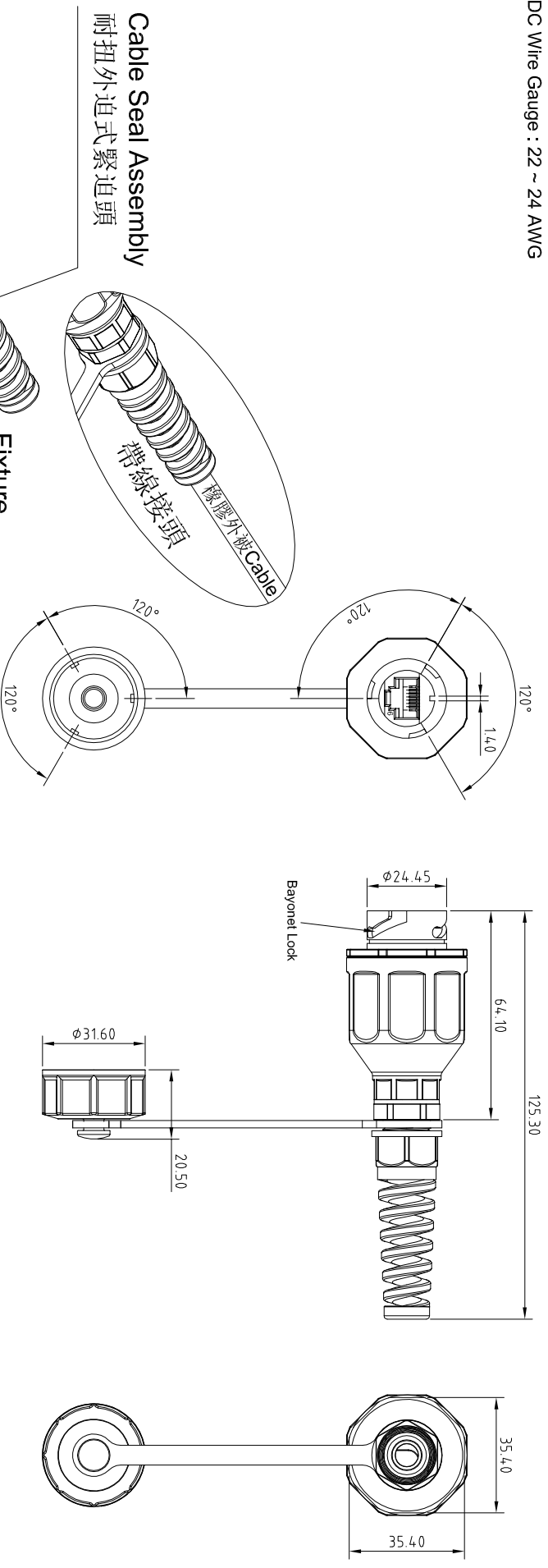
Insertion / Extraction Life : 750 Cycles Minimum  
IDC Wire Gauge : 22 ~ 24 AWG

**PHYSICAL**

Housing : High-Impact, Flame-Retardant Plastic, UL 94V0  
Spring Wire : Phosphor Bronze Alloy Plated With 50 micro-inch of Gold Over 100 micro-inch of Nickel  
IDC : Phosphor Bronze Alloy With 100 micro-inch Tin, Planted With 100% Tin.

International Protection Code meet IP67

REVISIONS		DESCRIPTION	DATE	DRAWN
A	工新字 EG14039 號		07/04/14	NICK
B	更換密封蓋, ECN:ME17127		04/20/17	NICK



UNLESS OTHERWISE SPECIFIED:		PROJECT ID		TITLE	
16C-U6-67BL		16C-U6-67BL		IP 67 C6 UTP keytone jack w/SR	
INCH TOLERANCES		FILE		DATE	
X ± .016 X ± .02		Z3966.DWG		03/27/14	
XXX ± .002		DRAWN		NICK	
MM ANGULAR		CHECK		APPROVED	
X ± .1 X ± .5		NICK			
SURFACE FINISH		SCALE		SHEET 1 OF 1	
		1:1		UNIT: MM	

