

10

9

8

7

6

5

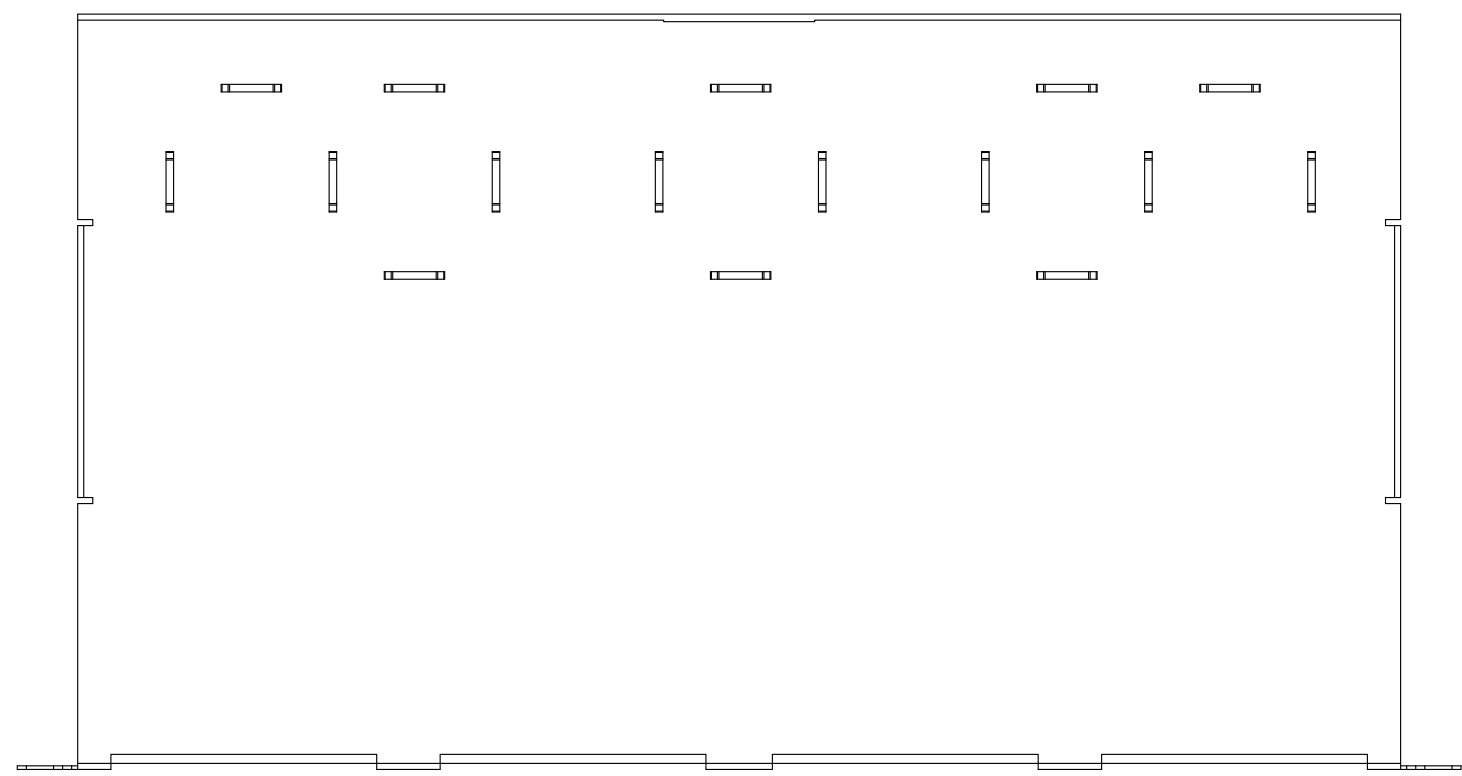
4

3

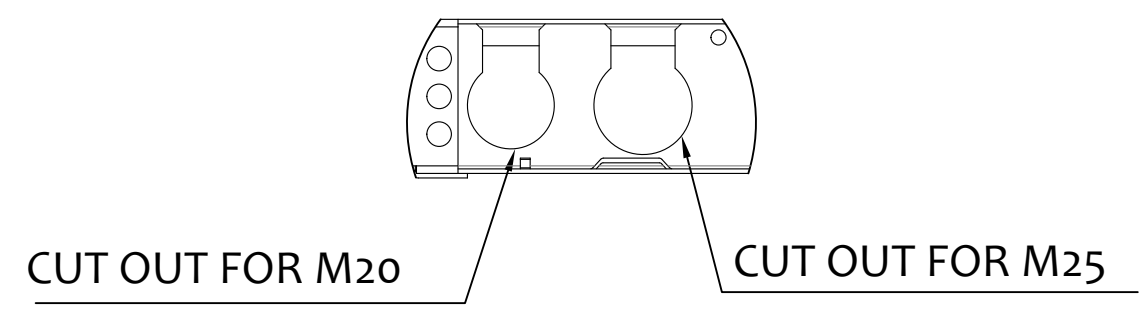
2

1

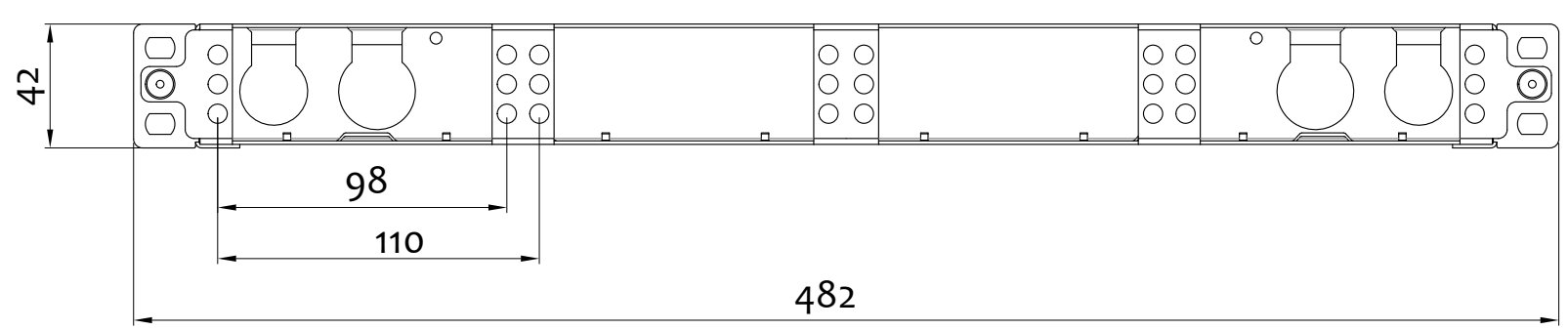
BOTTOM VIEW



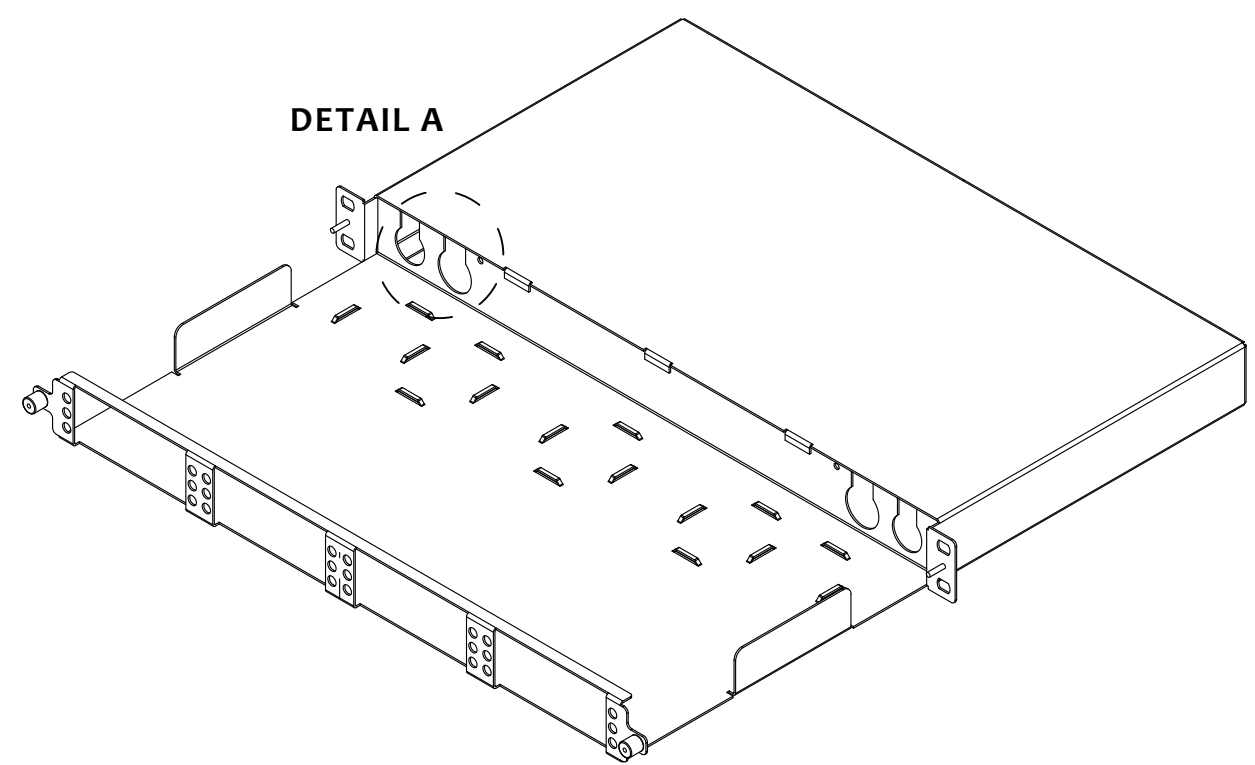
DETAIL A



FRONT VIEW



DETAIL A



BOM		
NO:	DESCRIPTION	QTY
1.	1U 19" patchpanel for 4 P&P cassettes sliding RAL9005	1

REVISION-DATE: A - 30.05.2014	CHANGE:	DRAWN BY, DATE: J.Š 2014/05/30	TITLE: 1U 19" PANEL, 4 MODULE CAPACITY		
- created a new drawing		CHECKED BY, DATE: E.K 2014/05/30			
REVISION-DATE: B - 18.09.2015	CHANGE:	APPROVED BY, DATE: I.G 2014/05/30	PRODUCT SPECIFICATION: ID 1133	DIMENSIONS IN MM UNLESS SPECIFIED	SCALE: NO SCALE
- design change of the product	- added detail A of holes for grommet				
REVISION-DATE: X - DD.MM.YYYY	CHANGE:	PRODUCT NUMBER: Panel 47M-20-00-01BL	DRAWING NUMBER: 1-S-2959_1_B	SHEET NO. 1 of 1	
XXX		B		SIZE A3	

10

9

8

7

6

5

4

3

2

1