

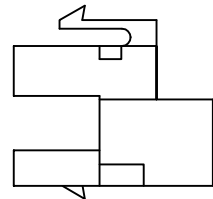
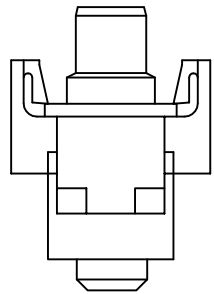
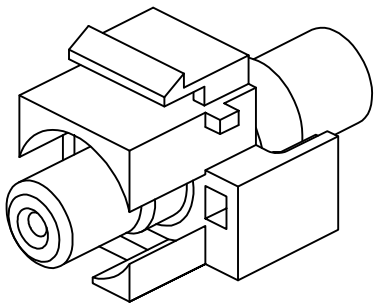
4

3

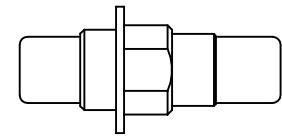
2

1

REVISIONS				
ZONE	REV	DESCRIPTION	DATE	APPROVED

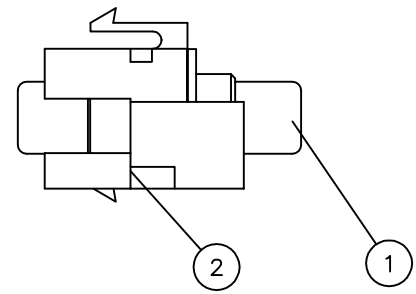
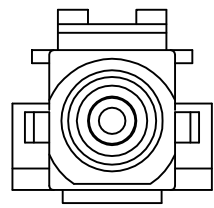


+



HOUSING

COUPLER RCA CONNECTOR



**SPECIFICATIONS:**

**A. MATERIALS:**

- 1. HOUSING: ABS UL94V-0
- 2. COLORS: WHITE, IVORY
- 3. CONNECTOR: RCA COUPLER, FEMALE TO FEMALE BRONZE WITH NICKEL PLATING, BLACK INSULATION.

LTR	DESCRIPTION	P/N	MATERIAL	Q'TY
1	COUPLER RCA CONNECTOR	LE000107G	BRASS NICKEL PLATED	1
2	HOUSING	LP932	ABS 94V-0	1

UNLESS OTHERWISE SPECIFIED: TOLERANCES		PROJECT ID 16B-RC-03WT		<b>EUROLAN</b>	
DECIMAL	~20 ±0.1mm	ANGULAR	±0'50'		
OVER 20~60	±0.15mm			TITLE Module RCA keystone yellow IN-LINE	
OVER 60~	±0.2mm	FILE	DATE	SIZE	DRAWING NUMBER
MATERIAL	DRAWN			PART NUMBER	REV
SURFACE	CHECK			SCALE 1 : 1 UNIT mm SHEET	
FINISH	APPROVED				

D

C

B

A