

TRANSMISSION PERFORMANCE

Meet all requirements specified in connecting hardware requirement of ISO/IEC 11801, Category 6A IEC 60603-7-51 ANSI/TIA-568-C.2, Category 6A

PHYSICAL

Housing : Zinc-alloy fully shielded
Spring Wire : Phosphor Bronze Alloy Plated With 50 micro-inch of Gold
IDC : Phosphor Bronze Alloy With 100 micro-inch 100% Sn Alloy
International Protection Code meet IP67

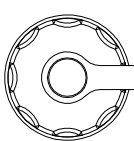
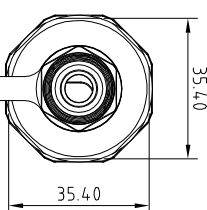
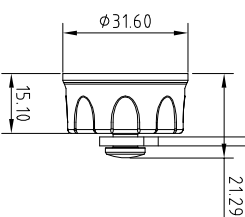
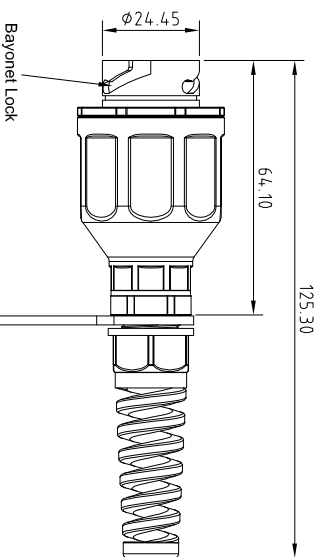
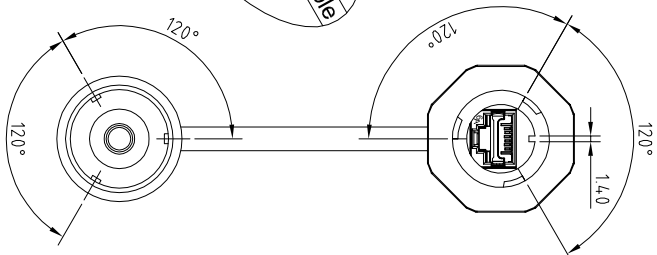
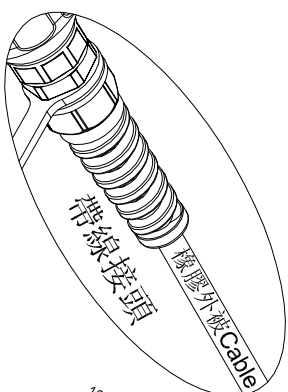
ELECTRICAL

Electrical Insulation Resistance : 500MΩ min. @100V d.c
Dielectric Withstanding Voltage : 1000V D.C or A.C Peak,
Contact to Contact; 1500V D.C or A.C Peak, Contact to Test Panel @ 60Hz for 1 Minute.

MECHANICAL

Insertion / Extraction Life : 750 Cycles Minimum
IDC Wire Gauge : 22 ~ 24 AWG

Cable Seal Assembly
耐扭外迫式緊迫頭



Fixture
固定帶

Seal Cover
密封蓋 X1

Seal Housing (X1)

Gasket Seal
密封墊圈 X1

FTP CAT.6A JACK

REVISIONS		DESCRIPTION	DATE	DRAWN
A	1	工新字 EG14039 號	07/04/14	NICK

UNLESS OTHERWISE SPECIFIED:		PROJECT ID		TITLE	
INCH	TOLERANCES	16C-EA-67BL	DATE	IP 67 C6A FTP keytone jack plug w/SR	
XX ± 0.16	ANGULAR	FILE	05/20/14	EURPOLAN	
XXX ± 0.02	X ± 1°	Z3968.DWG	DRAWN	SIZE	DRAWING NUMBER
XX ± 0.1	X ± .5°	NICK	CHECK	A4	Z3968
SURFACE			APPROVED	SCALE	PART NUMBER
FINISH				1:1	REV
				UNIT	A
				MM	SHEET 1 OF 1