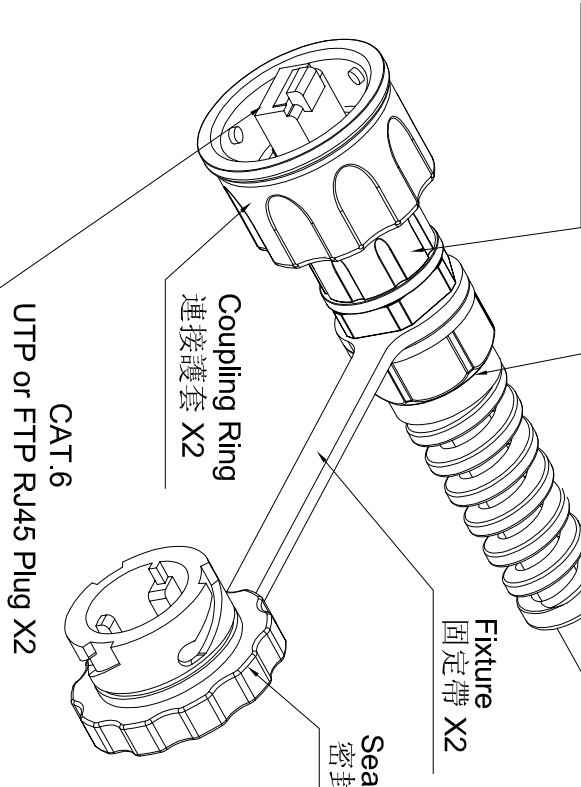
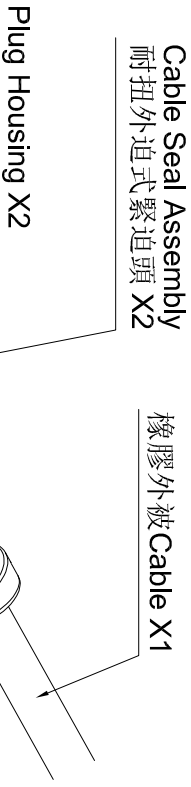
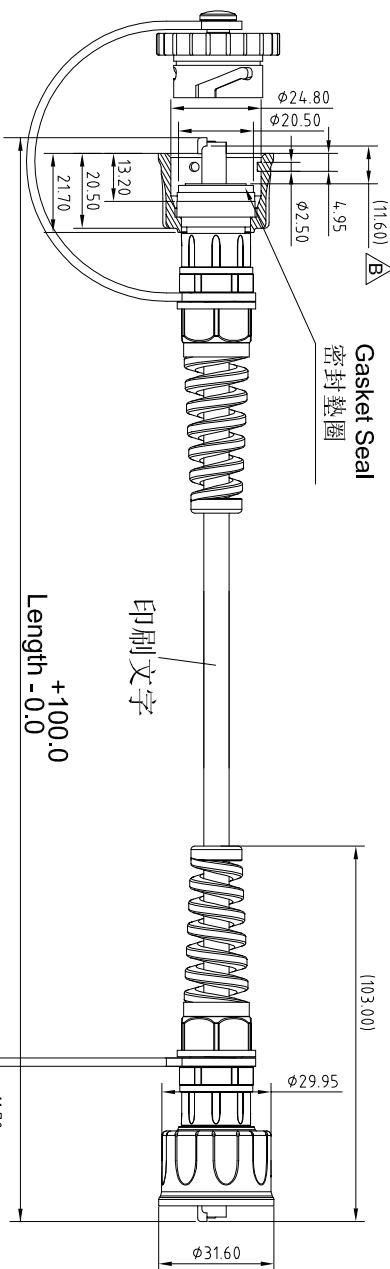


△ FTP外被印刷: HIGH FLEX INDUSTRIAL ETHERNET CABLE 4PR/26 75°C SUN RES
 OIL RES CM ETL VERIFIED TO ANSI/TIA-568-C.2 Cat 6 PATCH CABLE---FTP
 △ UTP外被印刷: HIGH FLEX INDUSTRIAL ETHERNET CABLE 4PR/24 75°C SUN RES
 OIL RES CM ETL VERIFIED TO ANSI/TIA-568-C.2 Cat 6 PATCH CABLE---UTP



ENVIRONMENTAL CONDITIONS

Temperature Range -40 to +70°C
 Storage -40 to +70°C
 Operation -10 to +60°C
 Relative Humidity (Operational) : Maximum Noncondensing 93%

ELECTRICAL

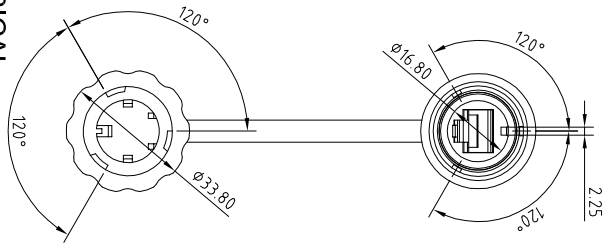
Electrical Insulation Resistance : 500MΩ min. @ 100V d.c
 Dielectric Withstanding Voltage : 1000V RMS @ 60Hz for 1 minute

MECHANICAL

Insertion / Extraction Life : 750 Cycles Minimum
 Tensile Strength : ≥ 20N per Wire

PHYSICAL

Housing : High-Impact, Flame-Retardant Plastic, UL 94V0
 CONTACT : Phosphor Bronze Alloy Plated With 50 micro-inch of Gold Over 100 micro-inch of Nickel
 Shield Shell : Brass Alloy Plated with 50 micro-inch Nickel (FTP only)
 International Protection Code meet IP67



ZONE	REV	DESCRIPTION	DATE	DRAWN
A	EG04046	新產品技術移轉	7/22/2004	JACKY HUANG
B	ECN單號:MEI08302		07/31/08	JASON
C	變更線被印字統一線被字型:MEI2010		05/19/12	Yabo

UNLESS OTHERWISE SPECIFIED:		PROJECT ID	
INCH	TOLERANCES	21P-F6-XXBL	
XXX ± .005	ANGULAR	FILE	DATE
X ± .015	X ± .1°	Z1629.DWG	
X ± .02	X ± .5°	DRAWN	TITLE
X ± .02		JACKY HUANG	IP 67 C6 FTP patch cord
		CHECK	SIZE
		APPROVED	A4
			DRAWING NUMBER
			Z1629
			PART NUMBER
			REV
			C



FTP料號: LC4PRXM(F)XIXX-R6TG-1
 UTP料號: LC4PRXM(F)XIXX-RH-1

SCALE	UNIT	SHEET	of
	MM	1	1