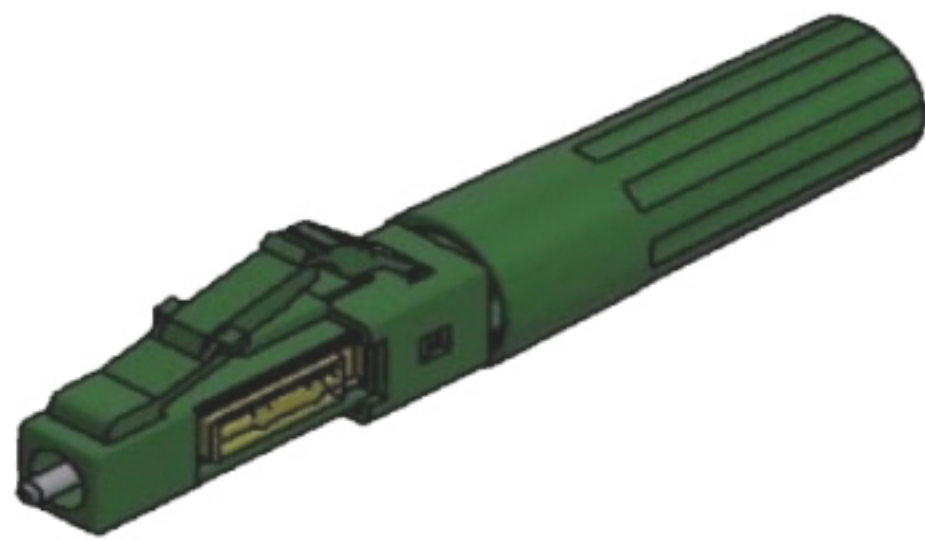
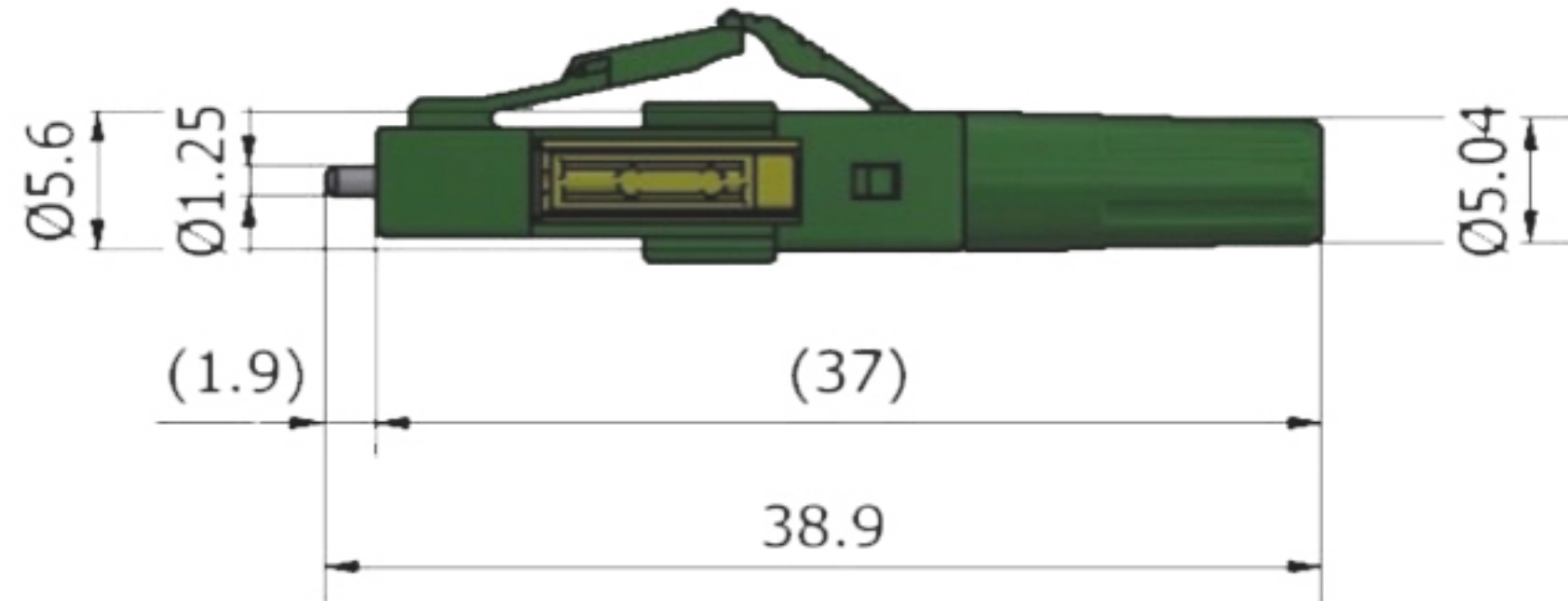
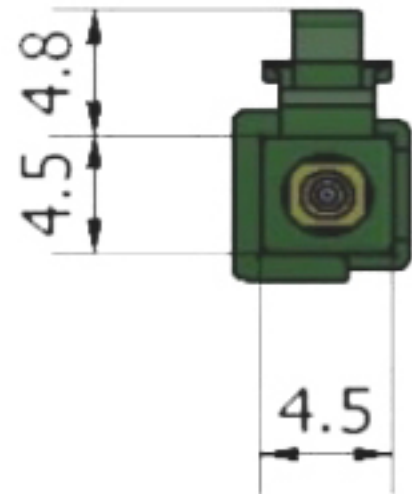
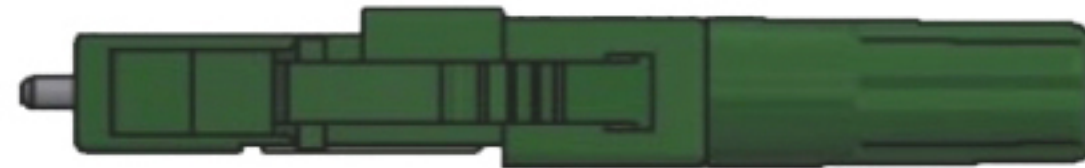


250, 900 MKM



ø 2,0/3,0 MM

