

REVISIONS

ZONE	REV	DESCRIPTION	DATE	DRAWN
A		新產品技術移轉EG08068	12/22/08	JASON

PHYSICAL

Housing : High-Impact, Flame-Retardant Plastic, UL 94V0
 Spring Wire : Phosphor Bronze Alloy Plated With 50 micro-inch of Gold Over 100 micro-inch of Nickel
 IDC : Phosphor Bronze Alloy With 100 micro-inch Tin, Planted With 100% Tin. Mist.
 International Protection Code meet IP67

TRANSMISSION PERFORMANCE
 Meet TIA/EIA 568-B.2 Connecting hardware requirement.

ENVIRONMENTAL CONDITIONS

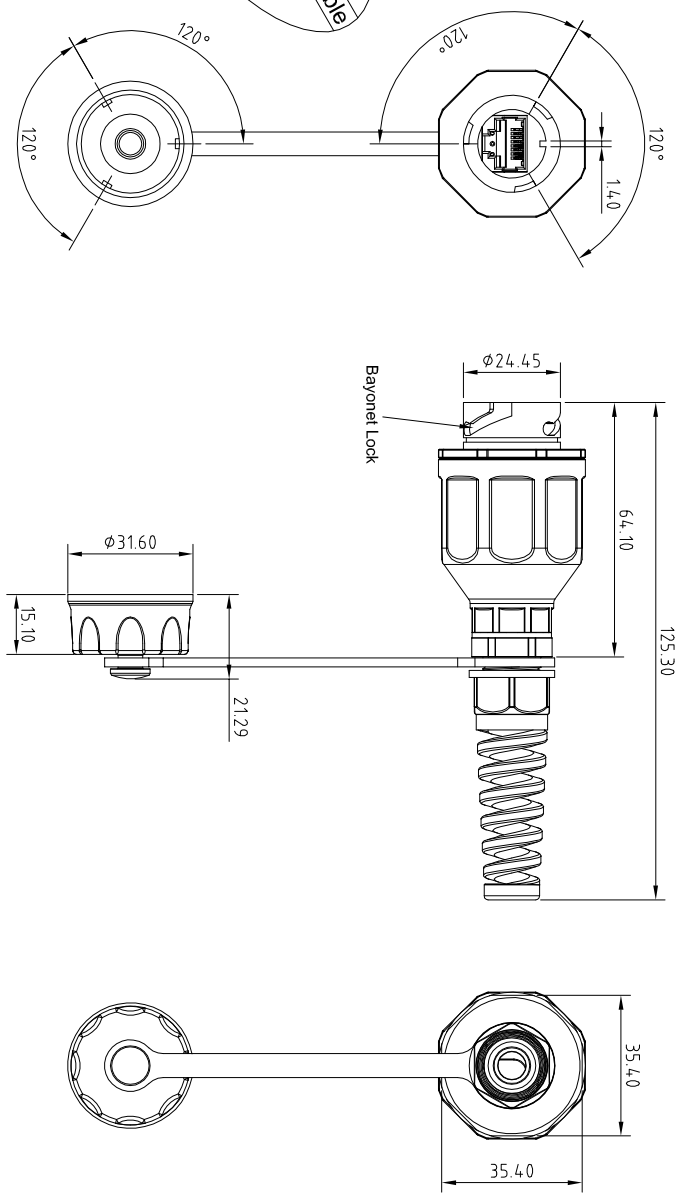
Temperature Range -40 to +70°C
 Storage -10 to +60°C
 Relative Humidity (Operational) : Maximum Noncondensing 93%

ELECTRICAL

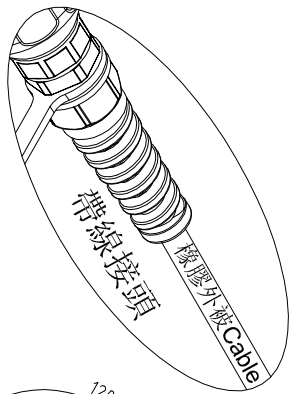
Electrical Insulation Resistance : 500MΩ min. @ 100V d.c
 Dielectric Withstanding Voltage : 1000V D.C or A.C

MECHANICAL

Insertion / Extractions Life : 750 Cycles Minimum
 IDC Wire Gauge : 22 ~ 24 AWG



Cable Seal Assembly
 耐扭外迫式緊迫頭



Fixture
 固定帶

Seal Cover
 密封蓋 X1

Seal Housing (X1)

Gasket Seal
 密封墊圈 X1

UTP CAT.5E JACK



UNLESS OTHERWISE SPECIFIED:		PROJECT ID		TITLE	
INCH	TOLERANCES	16C-US-67BL	IP 67 C5E UTP keytone jack w/SR		
XXX ± .004	ANGULAR	FILE	DATE	SIZE	DRAWING NUMBER
X ± .015	X ± .1	Z2674.DWG	03/26/08	A4	Z2674
MATERIAL	DRAWN	CHECK	APPROVED	PART NUMBER	REV
SURFACE FINISH	JASON				A
SCALE		UNIT	SHEET	OF	
1:1		MM	1	1	