

Перв. примен.

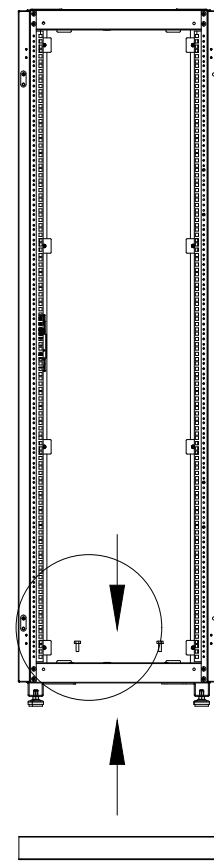
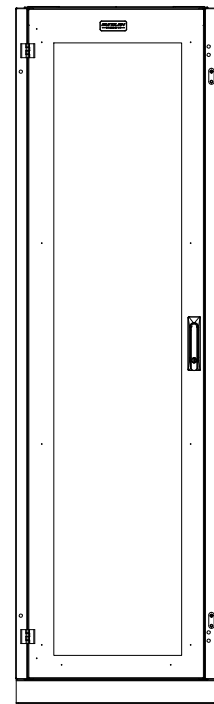
Справ. N

Подп. и дата

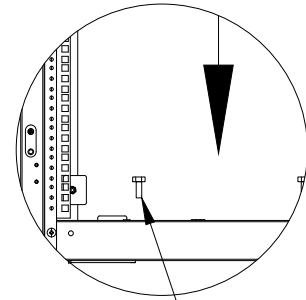
ВзаминвN

Подп. и дата

Ивв. N подл.

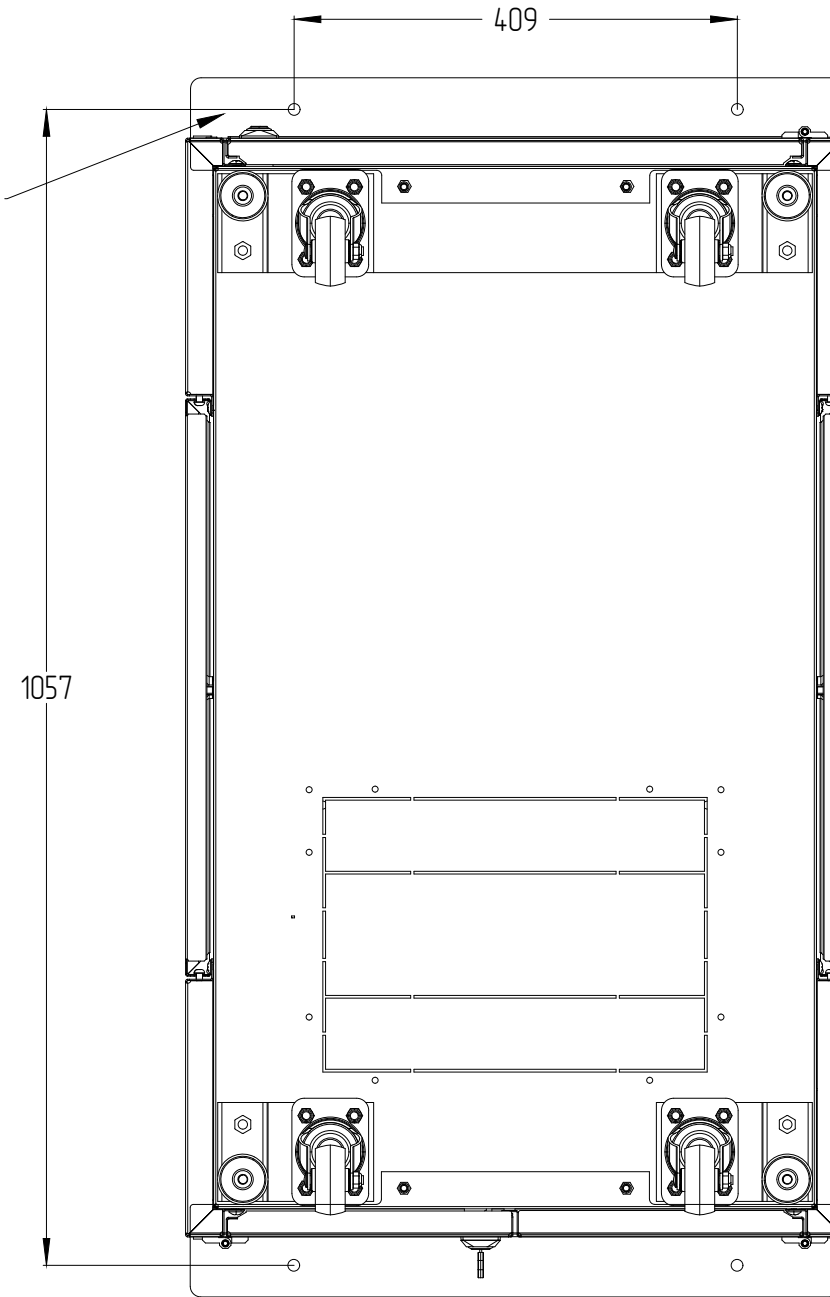


Anchoring Kit Assembly



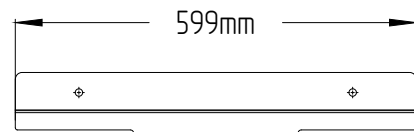
spanner head screw

Anchoring Kit



Front View
Anchoring Kit illustrated and without front door

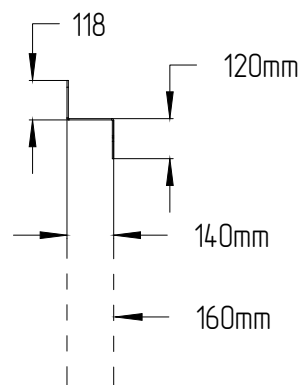
Front View



Top View



Left View



→ Type_1 Cabinet with Levelling feet

→ Type_2 Cabinet with Caster

- 1.-2.4≤A-B≤2.4; -2.4≤C-D≤2.4; -2.4≤E-F≤2.4
2. DOORS CAN BE QUICK RELEASE
3. STATIC LOADING: DESIGN 700kg; TEST 900kg.
4. All dimensions is in mm.
5. Grounding cables is in box. 5set
6. Casters are not included in the regular cabinet kit.
7. Anchoring is not included in the regular cabinet kit.

| | | | | |
|----------|------|----------|-------|------|
| Изм. | Лист | N докум. | Подп. | Дата |
| Разраб. | | | | |
| Проб. | | | | |
| Т.контр. | | | | |
| Н.контр. | | | | |
| Утв. | | | | |

N2000 SERIES RACK 600 × 1000 MM
 60F-18-6A-21BL, 60F-24-6A-21BL,
 60F-36-6A-21BL
 60F-42-6A-21BL, 60F-48-6A-21BL

| | |
|--------|--------|
| Лист | Листов |
| 0 | 4 |
| Лист 4 | Листов |

EUFOLAN
 — CONNECT IT —

Копировал

Формат А3