

TRANSMISSION PERFORMANCE
 Meet all requirements specified in connecting hardware requirement of ISO/IEC 11801, Category 6A
 IEC 60603-7-51
 ANSI/TIA-568-C.2, Category 6A

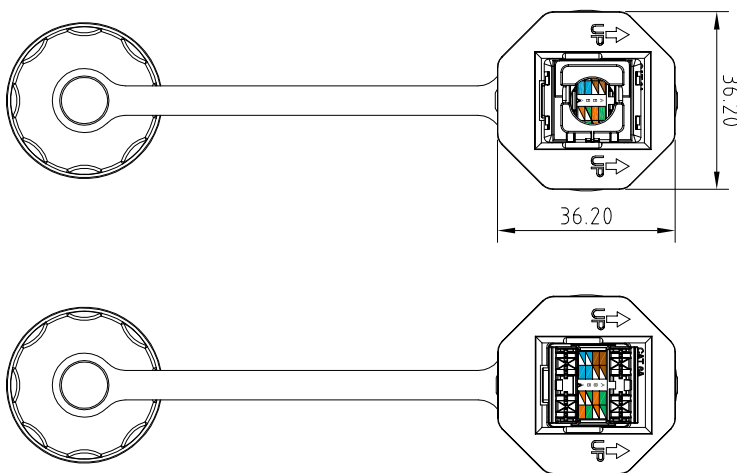
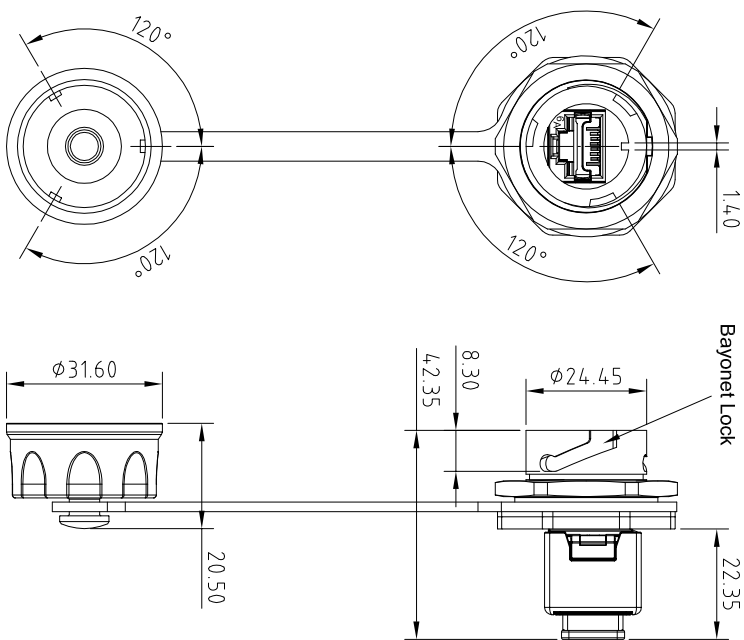
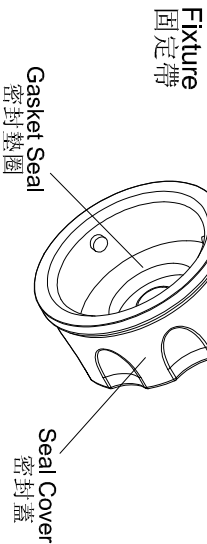
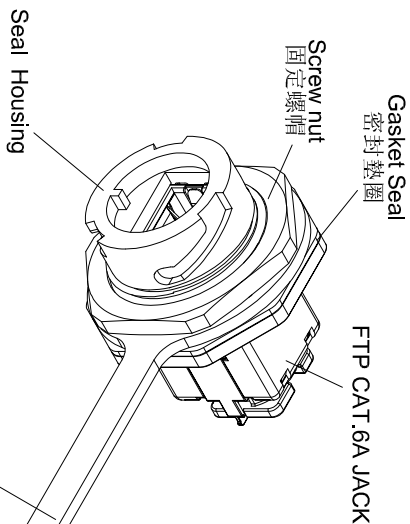
PHYSICAL
 Housing : Zinc-alloy fully shielded
 Spring Wire : Phosphor Bronze Alloy Plated With 50 micro-inch of Gold
 IDC : Phosphor Bronze Alloy With 100 micro-inch 100% Sn Alloy
 International Protection Code meet IP67

ELECTRICAL
 Electrical Insulation Resistance : 500 MΩ
 min. @ 100V d.c
 Dielectric Withstanding Voltage : 1000V d.c. or a.c.
 Peak Contact to Contact @ 60Hz for 1 minute, 1500V d.c. or a.c.
 Peak Contact to Panel @ 60Hz for 1 minute

MECHANICAL
 Insertion / Extraction Life : 750 Cycles Minimum
 IDC Wire Gauge : 22 ~ 24 AWG

COMPONENTS

ITEM	PART NAME	QTY
1	FTP CAT6A KEYSTONE JACK	1
2	HOUSING(LP1954C)	1
3	Gasket Seal(LP1959)	1
4	Screw Nut(LP1956)	1
5	Fixture(LP1964)	1
6	Seal Cover(LP1957)	1
7	Gasket Seal(LP1961)	1



REVISIONS		DESCRIPTION	DATE	DRAWN
ZONE	REV			
A	1	工新字 EG13011 號	04/11/13	NICK

UNLESS OTHERWISE SPECIFIED		PROJECT ID	
INCH	DIMENSIONS	16B-EA-67BL	
X ± 0.16	MM	FILE	Z3712.dwg
.XXX ± 0.00	ANGULAR	DRAWN	DNE
	X ± 0.2	CHECK	Sam
	X ± 0.1	APPROVED	01/31'13
	X ± .5	TITLE	
MATERIAL		IP 67 C6A FTP keystone jack	
SURFACE		SCALE 1 : 1	
FINISH		SIZE	DRAWING NUMBER
		Z3712	PART NUMBER
		SCALE	SHEET 1 OF 1
		REV	A

